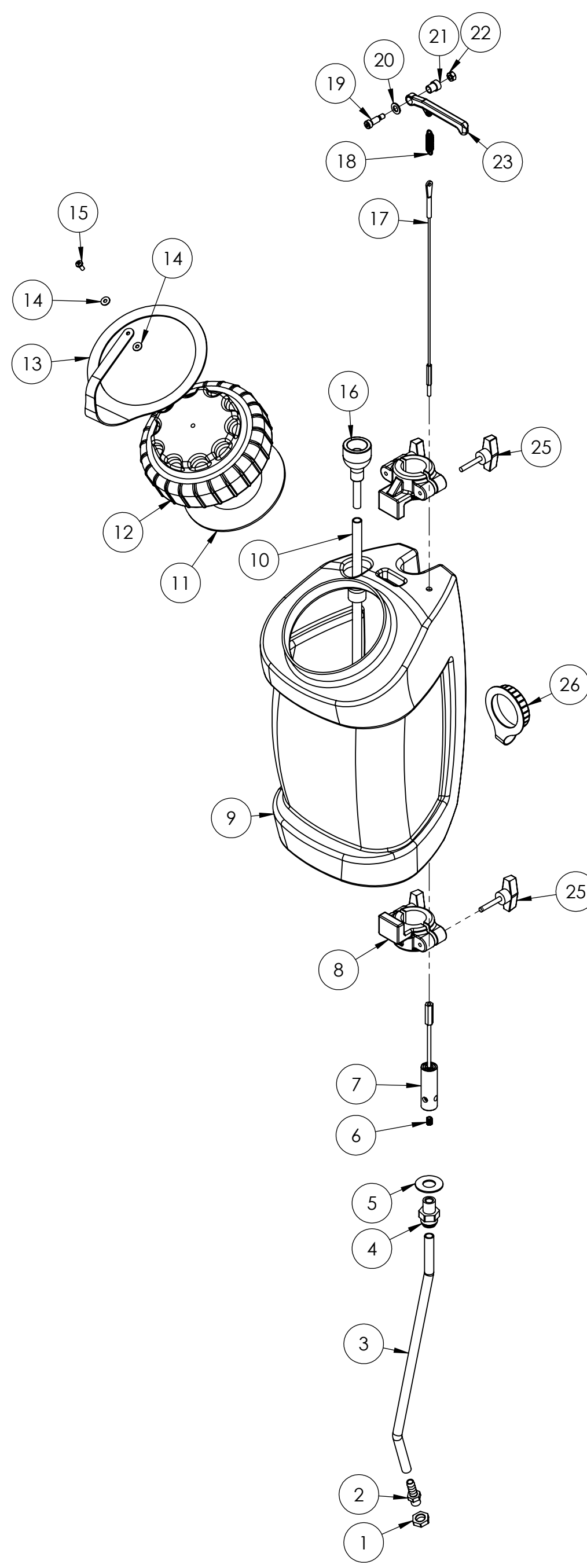


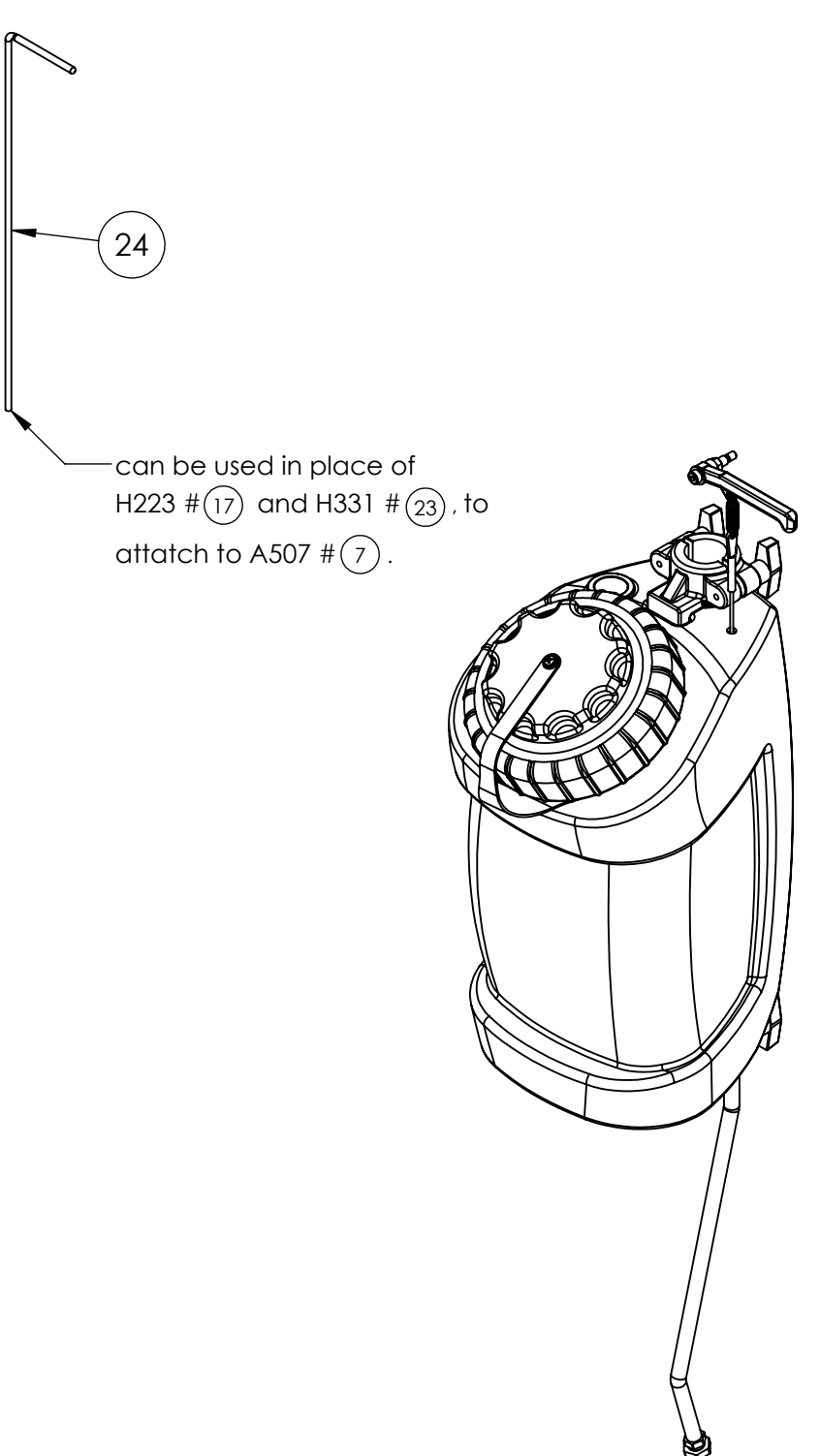
ITEM NO.	PART NO.	DESCRIPTION	QTY.	MSRP
1	B156	nut, 1/4" npt	1	\$1.99 ea
2	B241	adapter, brass, 3/8" barb x 1/4"mpt	1	\$1.99 ea
3	PH612-24	tubing, PVC, 1/2" OD x 3/8" ID	1	\$1.99/ft
4	B134	fitting, 3/8 mpt x 1/2" push-in	1	\$18.99 ea
5	H299	washer, 11/16" id x 1-1/2" od x .075, s/s	1	\$0.99 ea
6	B663A	insert, knurled, 10/32 short	1	\$1.99 ea
7	A507	valve, shampoo tank & handle rod	1	\$24.99 ea
8	H915	clamp, 1.375 ID, shampoo tank	2	\$4.99 ea
9	P559	tank, shampoo, floor machine	1	\$39.99 ea
10	PH612-26	tubing, PVC, 1/2" OD x 3/8" ID	1	\$1.99/ft
11	G031	gasket, 3.25" i.d. x 5.88" o.d.	1	\$6.99 ea
12	P560	cap, 6", threaded	1	\$23.99 ea
13	G055	tether, cap, 6 1/2"	1	\$12.99 ea
14	H612	Washer, #8, flat regular	2	\$0.99 ea
15	H230	screw, 10-32 x 1/2" phil pan head, s/s	1	\$0.99 ea
16	H178	faucet fill	1	\$10.99 ea
17	H223	cable, 15.5" long, 10-32 thrd x swivel ring	1	\$9.49 ea
18	H002	spring, shampoo tank cable	1	\$5.99 ea
19	H149	bolt, 5/16 shldr x 5/8" w/ 1/4-20 thrd	1	\$1.99 ea
20	H148	washer, 5/16", narrow	1	\$0.99 ea
21	P529	spacer, lever, handle adj.	1	\$1.99 ea
22	H215	nut, hex, 1/4-20 s/s	1	\$0.99 ea
23	H331	lever, shampoo tank	1	\$7.99 ea
24	H245	rod, universal, shampoo tank	1	\$12.99 ea
25	H357	thumb screw, 1/4" - 20, shampoo tank	4	\$1.99 ea
26	G036	cap, 2.5" threaded, tethered	1	\$3.49 ea

ITEMS NOT SHOWN

PART NO.	DESCRIPTION	QTY.	MSRP
ADM-ST4	manual, shampoo tank	1	NA
AD127	stop sign, register your product	1	NA
H316	bolt, 1/4-20 x 1-1/2" hex head, s/s	2	\$0.99 ea
H210	washer, 1/4" flat, s/s	2	\$0.99 ea
P573	Nylon Tube Expander For RD-13 Models Only	1	\$2.99



REVISIONS			
REV.	DESCRIPTION	DATE	APPROVED
OD	ORIGINAL DRAFT	3/22/10	JFL
A	FIXED BOM AND UPDATED PARTS NOT IN SW	3/30/12	DJC



DRAWN		NAME	DATE	mytee PRODUCTS, INC. 858-679-1191
CHECKED		M. LaBarbera	5/18/11	
TITLE:				shampoo tank
SIZE	DWG. NO.	REV		
C	ST-4	OD		
SCALE: 1:6		DO NOT SCALE DRAWING	SHEET 1 OF 1	

PROPRIETARY AND CONFIDENTIAL
THE INFORMATION CONTAINED IN THIS DRAWING IS THE SOLE PROPERTY OF MYTEE PRODUCTS, INC. ANY REPRODUCTION IN PART OR AS A WHOLE WITHOUT THE WRITTEN PERMISSION OF MYTEE PRODUCTS, INC. IS PROHIBITED.