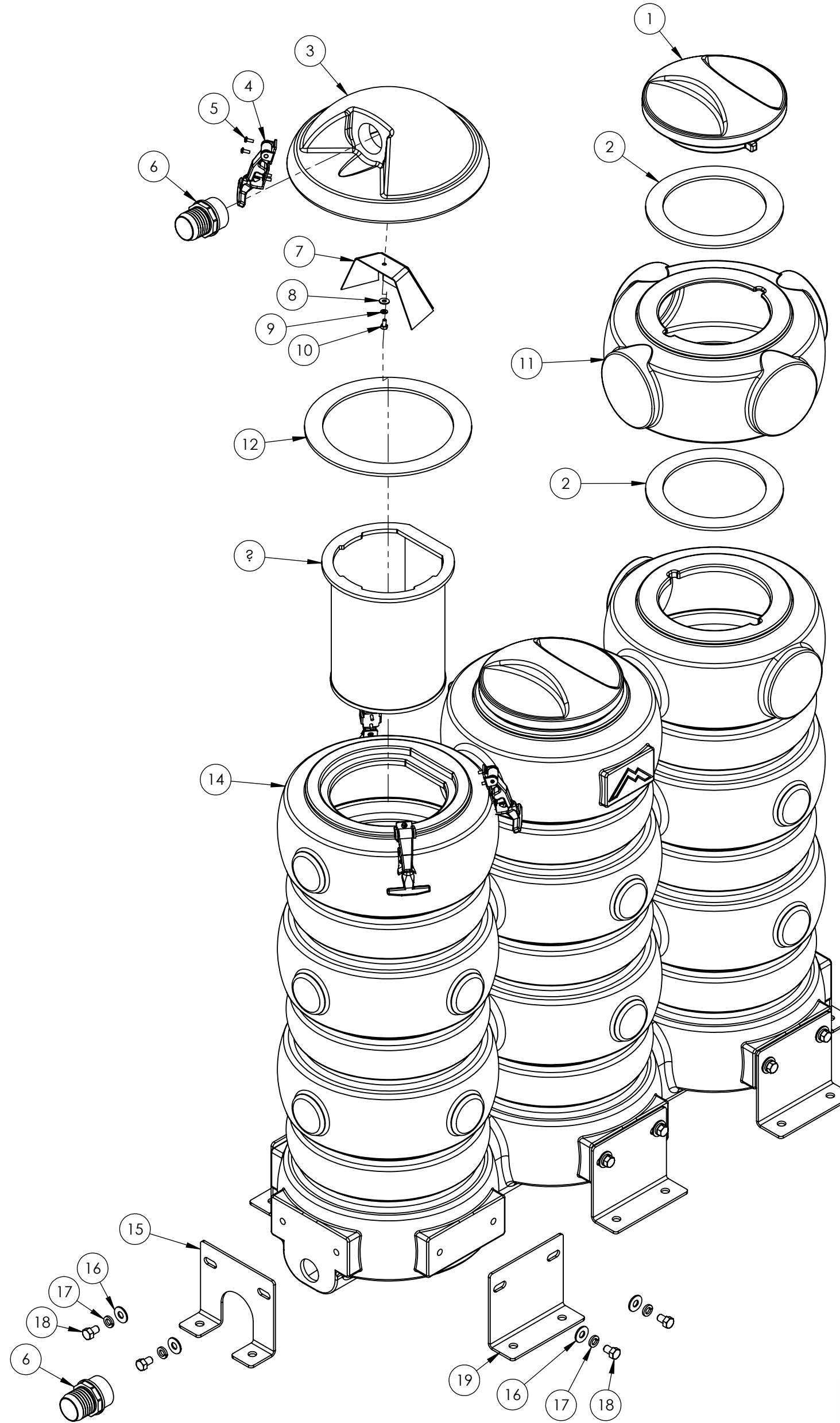
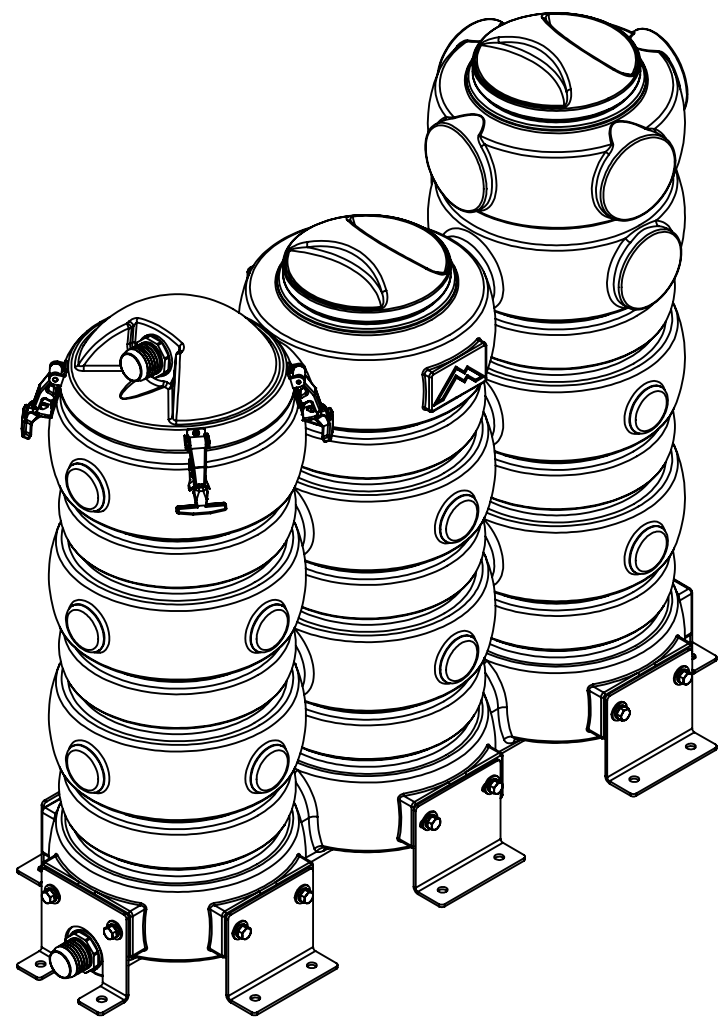


ITEM NO.	PART NO.	DESCRIPTION	QTY.	MSRP
1	P722	lid, kodiak	2	\$145.99
2	G005	gasket, vac lid, sp	3	\$14.99 ea
3	P704	lid, vac tank, truckmount	1	\$37.99 ea
4	H181	latch, rubber, T-hand;e 5-7/8	4	\$43.99 ea
5	H230	screw, 10-32 x 1/2 phil pan	16	\$0.99 ea
6	P685	inlet, 2"	2	\$10.99 ea
7	H446	shield, lid, truckmount tank	1	\$16.99 ea
8	H210	washer, 1/4" flat, s/s	1	\$0.99 ea
9	H213	washer, 1/4" lock, s/s	1	\$0.99 ea
10	H201	bolt, 1/4-20 x 1/2", hex head, zinc	1	\$0.99 ea
11	P710	tank, add-on, truckmount	1	\$57.99 ea
12	G009	gasket, lid, v.c.m.	1	\$37.99 ea
13	H525A	strainer basket, mesh, trckmnt tank	1	\$80.99 ea
14	P703	vac tank, truckmount	1	\$289.99 ea
15	H524	bracket, mount, tank, drain valve, truckmount	1	\$17.99 ea
16	H876	washer, 1/2" flat, s/s	16	\$0.99 ea
17	H173	lock washer, 1/2" med split	16	\$0.99 ea
18	H174	bolt, 1/2-13 x 3/4", c/s, hex head	16	\$3.49 ea
19	H523	bracket, mounting, tank, truckmount	7	\$17.99 ea



	NAME	DATE	MYTEE PRODUCTS, INC.	
DRAWN	J. Cash	4/2010	858-679-1191	
CHECKED			TITLE:	
<small>PROPRIETARY AND CONFIDENTIAL THE INFORMATION CONTAINED IN THIS DRAWING IS THE SOLE PROPERTY OF MYTEE PRODUCTS, INC. ANY REPRODUCTION IN PART OR AS A WHOLE WITHOUT THE WRITTEN PERMISSION OF MYTEE PRODUCTS, INC. IS PROHIBITED.</small>			Truckmount tank	
			SIZE DWG. NO. REV C T-80R	SCALE: 1:6 DO NOT SCALE DRAWING SHEET 1 OF 1