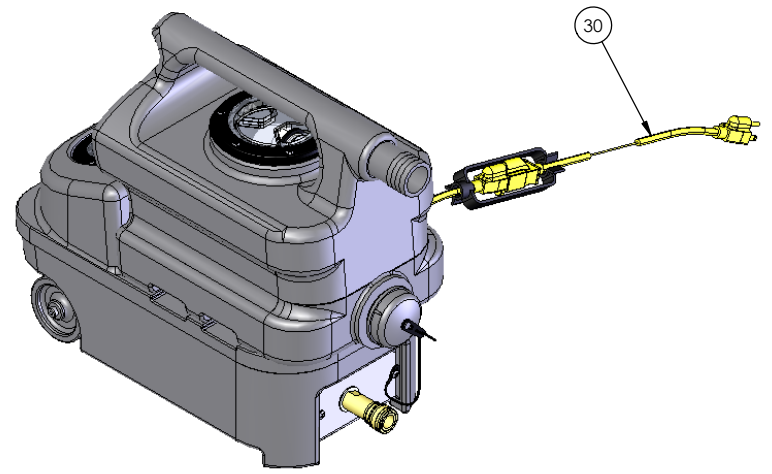


REVISIONS				
ZONE	REV.	DESCRIPTION	DATE	APPROVED
	A	REVISED PARTS LIST	11/12/03	
	B	CHANGED H342 TO H203	1/28/04	
	C	ADDED PH657 & H304	2/25/04	
	D	ADDED H246	4/5/04	

ITEM NO.	QTY.	PART NO.	DESCRIPTION
1	1	P728B	TANK, VACUUM
2	1	H646	MOUNTING PLATE, VACUUM
3	3	H210	WASHER, FLAT, 1/4"
4	3	H203	HEX BOLT, 1/4-20 x 1-1/4" LG.
5	1	C316	MOTOR, VACUUM
6	1	G004	GASKET, VACUUM MOTOR
7	1	B653	LOCK NUT, 3/4" BRASS
8	1	H644	ADAPTER, PVC
9	1	PH610-2.5	PIPE, 3/4, PVC, 2-1/2" LG.
10	1	H645	ELBOW, PVC, 90 DEG., 3/4" SLIP
11	1	H664	FILTER STRAINER
12	1	G057	O-RING, BUNA
13	1	G036	CAP, 2" THREADED
14	1	G037	STRAP ADAPTOR
15	1	G038	TETHER
16	2	G039	GASKET, VAC TANK LID
17	1	G058	VAC TANK DEFLECTOR, PLASTISOL
18	2	G030	VACUUM LID BASE AND COVER
19	12	H304	SCREW, #8-32 x 5/8" LG. PHIL. OVAL
20	1	P728A	TANK, SOLUTION
21	1	H898	COVER, SOLUTION TANK
22	6	H230	SCREW, #10-32 x 1/2" LG. PHIL. PAN HD.
23	4	H289	WASHER, FLAT, #10
24	1	H410	SWITCH PLATE
25	2	H246	SCREW, #8-32 x 3/8" LG. SOCKET HD. CAP
26	1	E515	SWITCH, 2 POSITION ROCKER
27	1	H856	FITTING, STRAIN RELIEF 3/8" NPT
28	1	E548	CORD, POWER, PIGTAIL, 16/3, 18"
29	1	G131	CONNECTOR, CORD
30	1	E585	EXTENSION CORD, 25' x 16/3
31	1	H250	BRACKET, PUMP
32	1	B119	FILTER STRAINER, 1/4"
33	1	B109	FITTING, 1/4" BARB x 1/4" MPT
34	1	PH626-12	TUBING, 1/4" ID x 3/8" OD VINYL x 12" LG.
35	1	B131	FITTING, 1/4" BARB x 1/8" FPT
36	2	H384	WASHER, FLAT, 3/8"
37	1	B129	NIPPLE, HEX, 1/8"
38	1	C308	PUMP, 55psi, 115V, 1/8" NPT
39	1	B140	FITTING, PUSH-IN, 1/4" x 1/8"
40	1	PH657-8	TUBING, NYLON, BLACK, 1/4" OD x 8" LG.
41	1	B166	FITTING, PUSH-IN, 1/4" x 1/4"
42	2	H212	WASHER, 9/16" ID
43	2	H413	WASHER, NYLON
44	1	B102	QUICK DISCONNECT, 1/4" FEMALE
45	2	H358	WHEEL, 3"
46	2	H650	SCREW, 5/16" SHOULDER x 1-1/4" LG.

ADDITIONAL COMPONENTS NOT SHOWN:

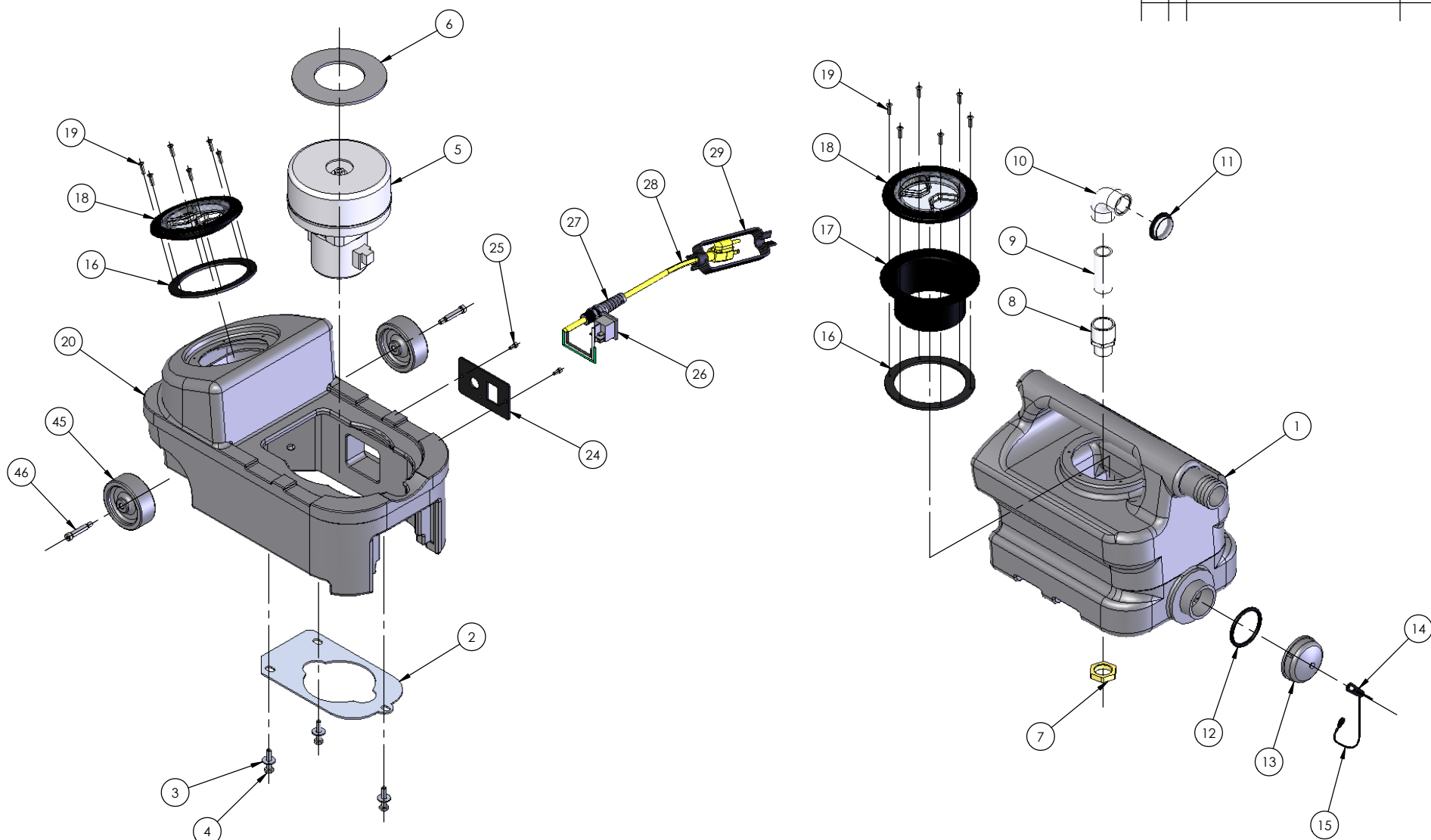
- AH135 - HOSE, DAYCO, 84" LG.
- B101 - QUICK DISCONNECT, MALE, 1/4"
- B104 - REDUCER, 1/4" MALE x 1/8" FEMALE
- G147 - VELCRO, STRAP WITH BUCKLE
- H282 - HAND TOOL, 3" S/S WITH VALVE
- H360 - HOSE, VACUUM, 1-1/4" x 8' LG.
- L825 - LABEL SET, 3 COLOR



PROPRIETARY AND CONFIDENTIAL
 THE INFORMATION CONTAINED IN THIS DRAWING IS THE SOLE PROPERTY OF MYTEE PRODUCTS, INC. ANY REPRODUCTION IN PART OR AS A WHOLE WITHOUT THE WRITTEN PERMISSION OF MYTEE PRODUCTS, INC. IS PROHIBITED.

		UNLESS OTHERWISE SPECIFIED:		DATE		NAME		MYTEE PRODUCTS, INC.	
		DIMENSIONS ARE IN INCHES		DRAWN		9/17/03		J. Bevier	
		TOLERANCES:		CHECKED				TITLE:	
		FRACTIONAL ± .015		ENG APPR.				SPOTTER,	
		ANGULAR: MACH ±		MFG APPR.				S-300 ASSEMBLY	
		BEND ±						SIZE	
		TWO PLACE DECIMAL ± .010						DWG. NO.	
		THREE PLACE DECIMAL ± .005						00014	
								REV	
								D	
								SCALE: 1:4	
								DO NOT SCALE DRAWING	
								SHEET 1 OF 3	

REVISIONS				
ZONE	REV.	DESCRIPTION	DATE	APPROVED
	B	CHANGED H342 TO H203	1/28/04	
	C	ADDED PH657 & H304	2/25/04	
	D	ADDED H246	4/5/04	

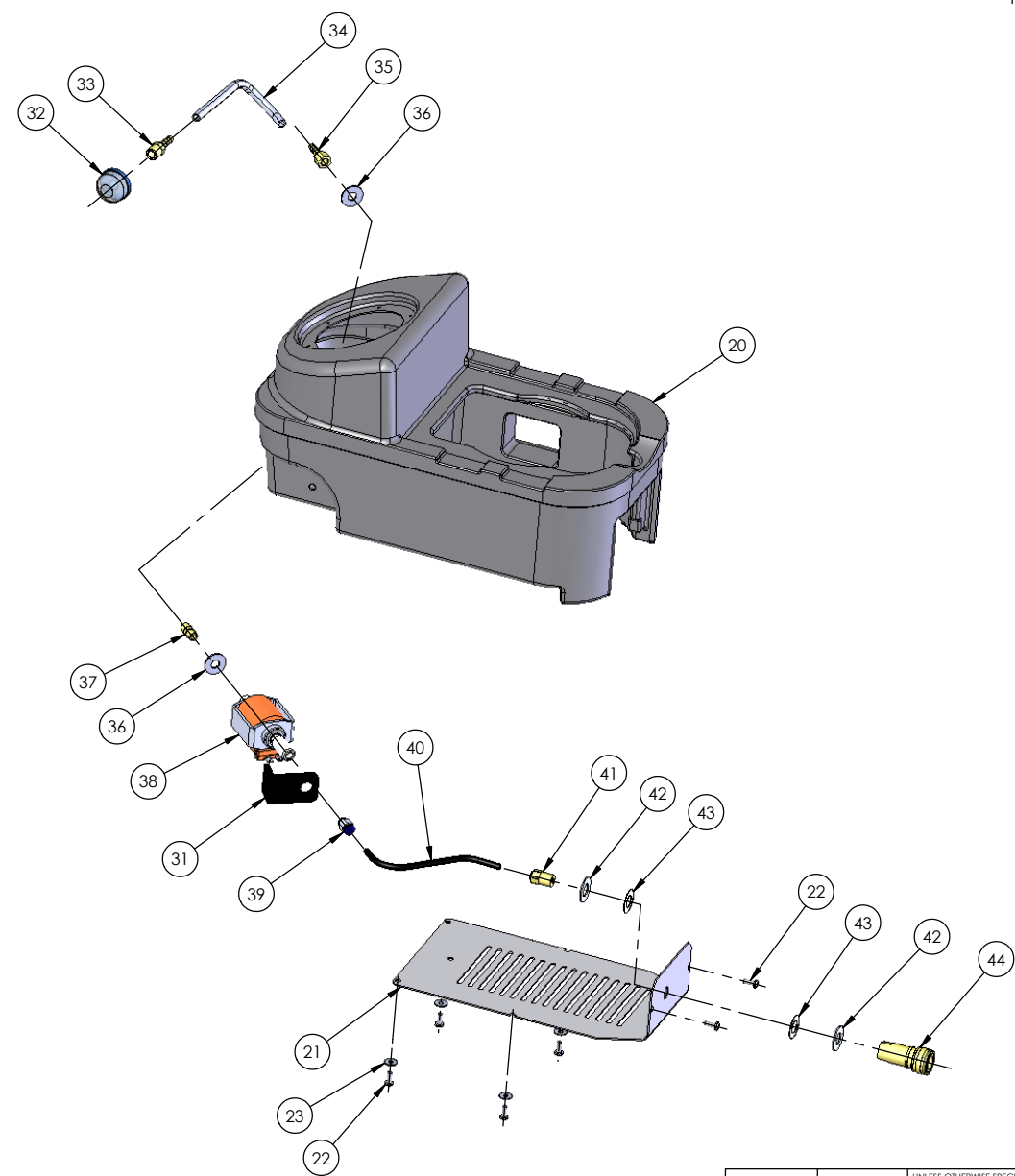


PROPRIETARY AND CONFIDENTIAL
 THE INFORMATION CONTAINED IN THIS DRAWING IS THE SOLE PROPERTY OF MYTEE PRODUCTS, INC. ANY REPRODUCTION IN PART OR AS A WHOLE WITHOUT THE WRITTEN PERMISSION OF MYTEE PRODUCTS, INC. IS PROHIBITED.

UNLESS OTHERWISE SPECIFIED:		DATE	NAME
DIMENSIONS ARE IN INCHES		9/17/03	J. Bevier
TOLERANCES:		CHECKED	
FRACTIONAL ± .015		ENG APPR.	
ANGULAR: MACH ± BEND ±		MFG APPR.	
TWO PLACE DECIMAL ± .010		COMMENTS:	
THREE PLACE DECIMAL ± .005			
MATERIAL	SEE B.O.M.		
FINISH			
NEXT ASSY	USED ON	USED ON:	
APPLICATION			

MYTEE PRODUCTS, INC.		
TITLE:		
SPOTTER, S-300 ASSEMBLY		
SIZE	DWG. NO.	REV
C	00014	D
SCALE: 1:4		DO NOT SCALE DRAWING
		SHEET 2 OF 3

REVISIONS				
ZONE	REV.	DESCRIPTION	DATE	APPROVED
	B	CHANGED H342 TO H203	1/28/04	
	C	ADDED PH657 & H304	2/25/04	
	D	ADDED H246	4/5/04	



PROPRIETARY AND CONFIDENTIAL
 THE INFORMATION CONTAINED IN THIS DRAWING IS THE SOLE PROPERTY OF MYTEE PRODUCTS, INC. ANY REPRODUCTION IN PART OR AS A WHOLE WITHOUT THE WRITTEN PERMISSION OF MYTEE PRODUCTS, INC. IS PROHIBITED.

UNLESS OTHERWISE SPECIFIED:		DATE	NAME
DIMENSIONS ARE IN INCHES		9/17/03	J. Bevier
TOLERANCES:		CHECKED	
FRACTIONAL ± .015		ENG APPR.	
ANGULAR: MACH ± BEND ±		MFG APPR.	
TWO PLACE DECIMAL ± .010		COMMENTS:	
THREE PLACE DECIMAL ± .005			
MATERIAL		SEE B.O.M.	
FINISH			
NEXT ASSY	USED ON	USED ON:	
APPLICATION			

MYTEE PRODUCTS, INC.		
TITLE: SPOTTER, S-300 ASSEMBLY		
SIZE	DWG. NO.	REV
C	00014	D
SCALE: 1:4		DO NOT SCALE DRAWING
		SHEET 3 OF 3