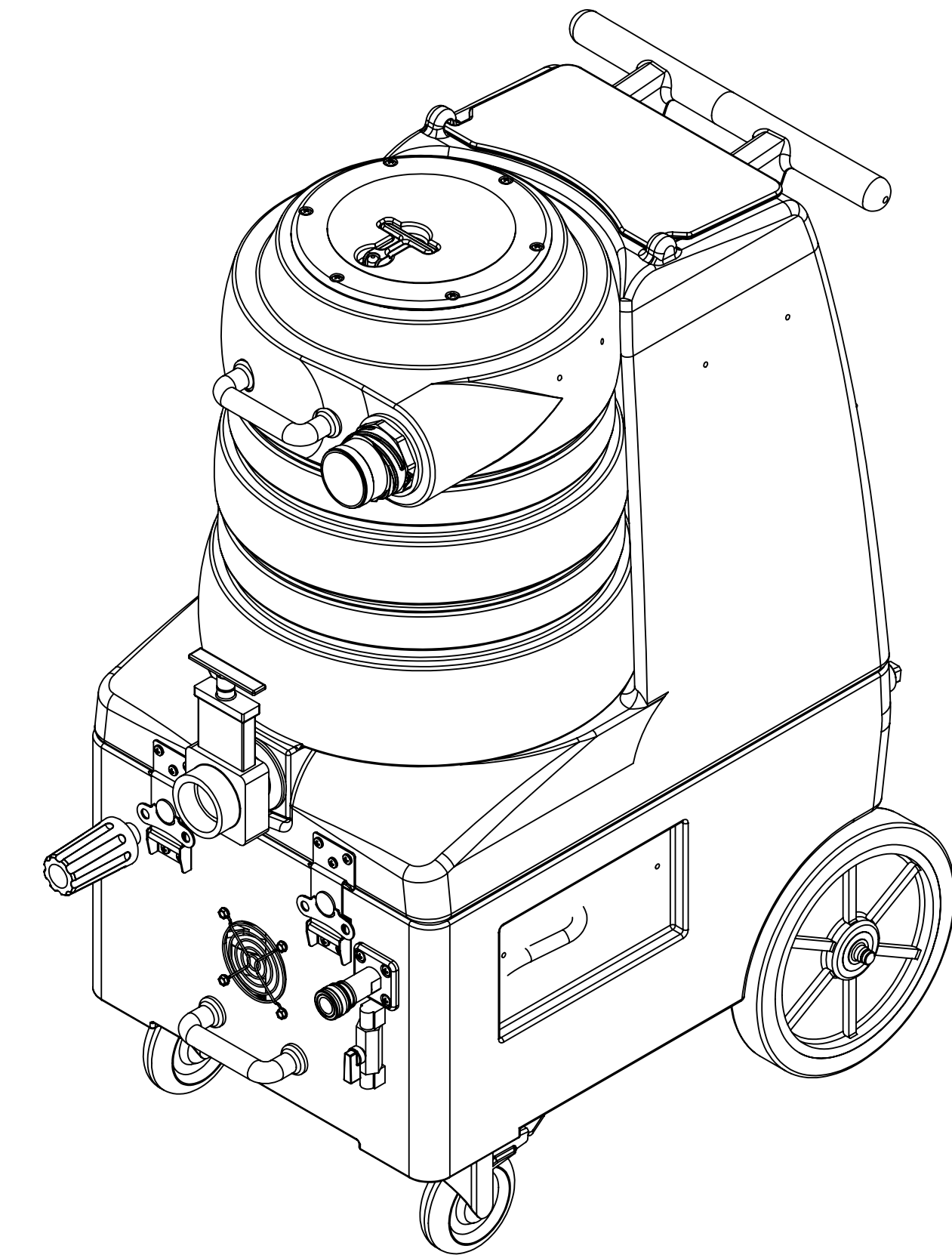


ITEM NO.	PART NO.	DESCRIPTION	QTY.	MSRP
1	P696	base, breeze	1	\$135.99 ea
2	E512B	light, indicator, 125v (amber)	1	\$9.99 ea
3	E515	switch, rocker, 2 position	4	\$13.99 ea
4	H230	screw, 10-32 x 1/2 phil pan	36	\$0.99 ea
5	H389	screw, #10-32 x 1/2" SHCS, alloy	1	\$0.99 ea
6	H273	nut, kep, #10-32 zinc	17	\$0.99 ea
7	H641	plate, switch, 4 hole	1	\$6.99 ea
8	H486	latch, front breeze	2	\$13.99 ea
9	H485	handle, breeze and dx	2	\$6.99 ea
10	H484	plate, mounting, QD	1	\$4.99 ea
11	B107	nipple, brass, 1/4"m, hex	2	\$3.19 ea
12	B102	qd, brass, 1/4" f	1	\$17.99 ea
13	H211	washer, 1/4" id x 1" od, flat, s/s	6	\$0.99 ea
14	H768	bolt, 1/4-20 x 3/4" serrated hex flange, zinc	21	\$0.99 ea
15	H202	bolt, 1/4-20 x 3/4" hex head, s/s	14	\$0.99 ea
16	H668	caster, 4", black hub & gray tread	2	\$19.49 ea
17	H210	washer, 1/4" flat, s/s	22	\$0.99 ea
18	H216	nut, lock, 1/4-20 nylon insert	15	\$0.99 ea
19	H371	axle, 18.25" x .50" dia, sp, breeze	1	\$9.99 ea
20	H254	washer, axle, cut 1/2" id	6	\$0.99 ea
21	H392	wheel, 10", white hub & gray tread	2	\$35.49 ea
22	H219	cap, axle, 1/2"	2	\$0.99 ea
23	AH105	hose, 3/8" x 17-1/2", (OAL), f	1	\$31.99 ea
24	B210	bushing, brass, 1/2"mpt x 3/8" fpt, hex	4	\$2.49 ea
25	B132	adapter, brass, 1/2" barb x 1/2" mpt	1	\$9.49 ea
26	H299	washer, 1 1/16" id x 1-1/2" od x .075, s/s	10	\$0.99 ea
27	B196	fitting, brass, 3/4" mgh x 1/2" fpt	1	\$5.99 ea
28	B120	cap, brass, 3/4", garden hose	1	\$1.49 ea
29	B642	swivel, brass, 3/4" fgh x 1/2" fpt	1	\$5.49 ea
30	B221	plug, brass, 3/4", garden hose	1	13.99 ea
31	H343	screw, #10 x 5/8" hex head zinc	12	\$0.99 ea
32	H296	guard, cooling fan, wire	3	\$2.99 ea
33	C317	fan, cooling, 115V	1	\$21.49 ea
34	H487	bracket, hinge	2	\$4.49 ea
35	H221	nut, lock, 1/2" steel	2	\$1.99 ea
36	H220	fitting, strain relief, cord	2	\$3.19 ea
37	E550	power cord, pigtail, 30', 12/3, black	2	\$11.49 ea
38	G131	connector, cord lock	2	\$4.99 ea
39	G059	exhaust boot, plastisol	2	\$4.99 ea
40	H215	nut, hex, 1/4-20 s/s	7	\$0.99 ea
41	H500	vac support, 2 stage, 3-1/8"	6	\$3.99 ea
42	G004	gasket, vacuum motor	2	\$8.99 ea
43	P750	manifold, dual vac, parallel	1	\$15.99 ea
44	H601	plate, manifold, parallel	1	\$13.49 ea
45	PH628-24	vac hose, 2", wire reinforced	1	\$8.99/ft
46	H544	cuff hose, 2 X 2, wire reinforced	1	\$12.49 ea
47	C310	vac motor, 2 stage high performance	2	\$103.99 ea
48	H217	clamp, hose, 2-1/4 dia	3	\$1.49 ea
49	H256	screw, #10-32 x 3/4" phil pan head, zinc	3	\$0.99 ea
50	C381	pump out, 115v	1	\$187.49 ea
51	PH615-36	sol hose, 1/2" kuri 100psi	1	\$8.99/ft
52	PH615-24	sol hose, 1/2" kuri 100psi	1	\$8.99/ft

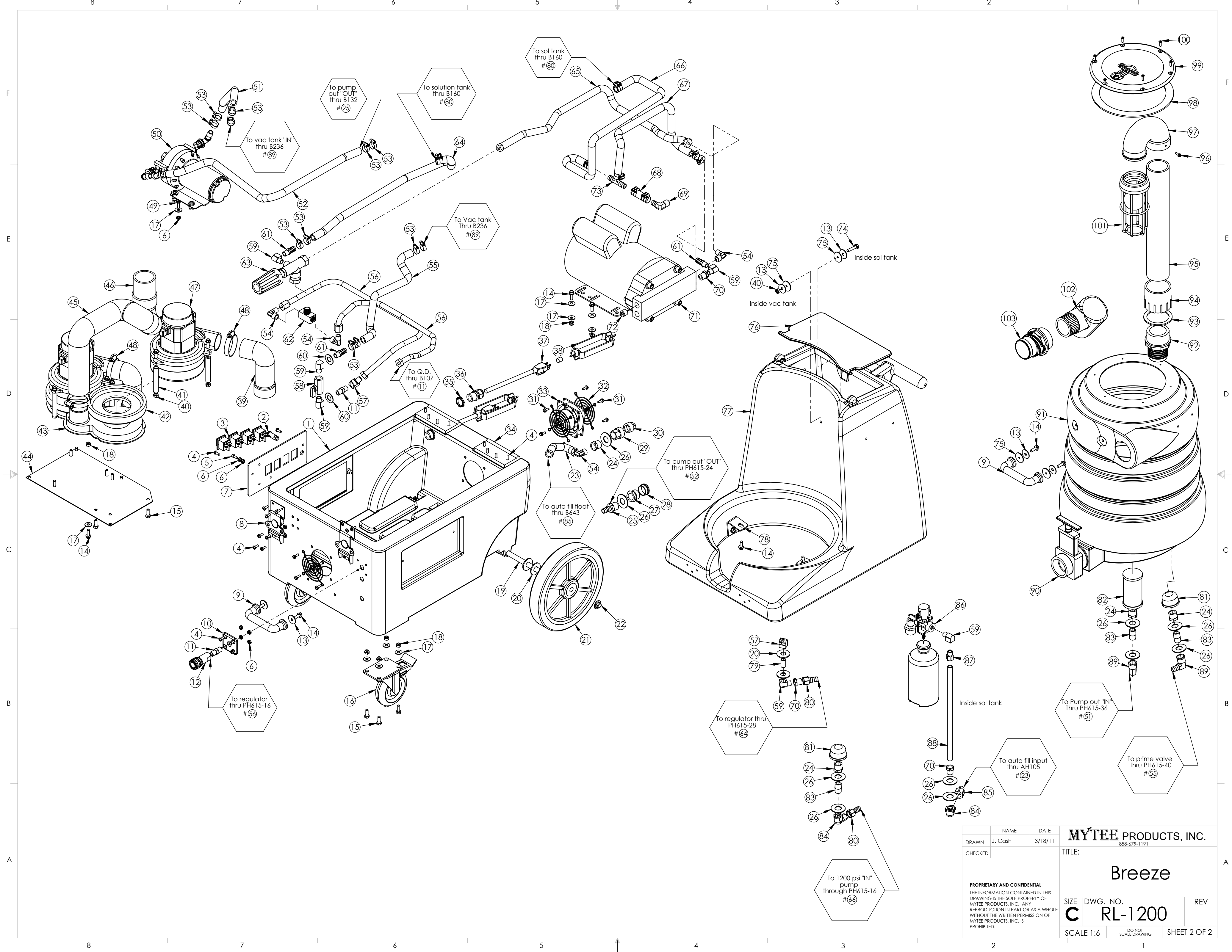
ITEM NO.	PART NO.	DESCRIPTION	QTY.	MSRP
53	H347	clamp, hose, 5/16-29/32	28	\$1.99 ea
54	B652	elbow, brass, 90 deg, 3/8"mpt x 1/4"mpt	4	\$8.49 ea
55	PH615-40	sol hose, 1/2" kuri 100psi	1	\$8.99/ft
56	AH120	sol hose, 28" x 1/4", 1/4" solid x 1/4" swivel fittings	2	\$35.49 ea
57	B130	45 deg, street elbow, brass, 1/4" male NPTF	2	\$5.49 ea
58	B656	ball valve, 1/4"	1	\$13.49 ea
59	B103	elbow, brass, 90 deg, 1/4"mpt x 1/4" fpt	6	\$4.49 ea
60	H212	washer, 9/16" id x 1" od, flat, s/s	2	\$0.99 ea
61	B644	adapter, brass, 1/2" barb x 1/4" mpt	3	\$2.49 ea
62	B242	tee, brass, 3/8" fpt x 3/8" mpt x 3/8" fpt	1	\$13.99 ea
63	H306B	unloader, 1200 psi	1	\$126.49 ea
64	PH615-28	sol hose, 1/2" kuri 100psi	1	\$8.99/ft
65	AH202	hose, pulse, 3/8 fsw x 3/8 m fittings 1600psi	1	\$39.99 ea
66	PH615-16	sol hose, 1/2" kuri 100psi	2	\$8.99/ft
67	PH615A-16	solution hose, black, low pressure, 1/2"	1	\$5.99 ft
68	PH615-1.5	sol hose, 1/2" kuri 100psi	1	\$8.99/ft
69	B172	elbow, brass, 90 deg, 1/2" barb x 3/8"mpt	1	\$9.49 ea
70	B105	bushing, brass, 3/8"mpt x 1/4"	3	\$3.19 ea
71	C359A	pump, 1000 psi	1	\$708.99 ea
72	B246	plug, brass, 3/8" mpt, hex	1	\$1.99 ea
73	B128	tee, brass, 1/2" hose barb	1	\$9.99 ea
74	H203	bolt, 1/4-20 x 1-1/4" hex head	1	\$0.99 ea
75	G052	washer, buna 1-1/8" od x 3/16" id	4	\$1.99 ea
76	G062	lid, sol tank	1	\$12.99 ea
77	P697	sol tank, breeze	1	\$145.99 ea
78	H390A	bracket, "L" (all extractors)	2	\$6.99 ea
79	B106	nipple, brass, 1/4" x close	1	\$3.49 ea
80	B160	adapter, brass, 1/2" barb x 3/8" fsw, ball end	2	\$3.49 ea
81	B119A	filter, strainer, 1/2"	2	\$6.49 ea
82	B119C	filter, strainer, 1/2", coarse screen	1	\$6.49 ea
83	B216	nipple, brass, 3/8" x close	3	\$1.99 ea
84	B186	elbow, brass, 90 deg, 3/8"mpt x 3/8" fmpt	2	\$8.99 ea
85	B643	adapter, brass, 3/8" female npt x 1/4" male npt	1	\$4.99 ea
86	H541	valve, float, autofill	1	\$124.99 ea
87	B111	adapter, brass, extender, 1/4" mpt x 1/4" fpt, hex	1	\$3.49 ea
88	B115	nipple, 1/2" x 1/4" npt, m x m	1	\$23.99 ea
89	B236	elbow, brass, 90 deg, 1/2" barb x 3/8" fpt	2	\$14.49 ea
90	H225	valve, drain, 1-1/2"	1	\$20.99 ea
91	P698	vac tank, breeze	1	\$138.99 ea
92	P685	inlet, 2"	1	\$10.99 ea
93	G002	gasket, cam fitting polyethylene, 2.35" OD 1.90" ID	1	\$6.49 ea
94	P684	adaptor, pvc 2, fmsl x fmf	1	\$6.99 ea
95	P682-14	pipe, pvc, 2"	1	\$7.99/ft
96	H297	screw, #8 x 1/2", hex head, zinc	3	\$0.99 ea
97	P726	elbow, 2" float	1	\$11.49 ea
98	G091	gasket, 7", vac lid	1	\$11.99 ea
99	G090	lid, vac tank, black, 7"	1	\$36.99 ea
100	H304	screw, #8 x 5/8 phil oval, s/s	6	\$0.99 ea
101	H490	float, 2", ball style	1	\$18.49 ea
102	A925	elbow, inlet assy 1-1/2"	1	\$14.99 ea
103	H135	Cuff-Lynx, 2" m cuff x 2" mpt	1	\$3.99 ea

ITEMS NOT SHOWN:

PART NO.	DESCRIPTION	QTY.	MSRP
G010	filter, bag, vac tank	1	\$9.99 ea
G085	gasket, strip, 3/4" x 36" x 1/8"	2	\$4.99 ea
E564	controller, circuit light	1	\$62.49 ea



NAME	DATE	MYTEE PRODUCTS, INC. 850-679-1191
J.Cash	3/18/11	
CHECKED		
PROPRIETARY AND CONFIDENTIAL THE INFORMATION CONTAINED IN THIS DRAWING IS THE SOLE PROPERTY OF MYTEE PRODUCTS, INC. ANY REPRODUCTION IN PART OR AS A WHOLE WITHOUT THE WRITTEN PERMISSION OF MYTEE PRODUCTS, INC. IS PROHIBITED.		TITLE: Breeze
SIZE	DWG. NO.	REV
D	RL-1200	
SCALE: 1:5	DO NOT SCALE DRAWING	SHEET 1 OF 2



NAME	DATE	MYTEE PRODUCTS, INC. <small>858-679-1191</small>
DRAWN J. Cash	3/18/11	
CHECKED		TITLE:
		<h1>Breeze</h1>
<small>PROPRIETARY AND CONFIDENTIAL</small> <small>THE INFORMATION CONTAINED IN THIS DRAWING IS THE SOLE PROPERTY OF MYTEE PRODUCTS, INC. ANY REPRODUCTION IN PART OR AS A WHOLE WITHOUT THE WRITTEN PERMISSION OF MYTEE PRODUCTS, INC. IS PROHIBITED.</small>	SIZE DWG. NO. C RL-1200	REV
SCALE 1:6	DO NOT SCALE DRAWING	SHEET 2 OF 2