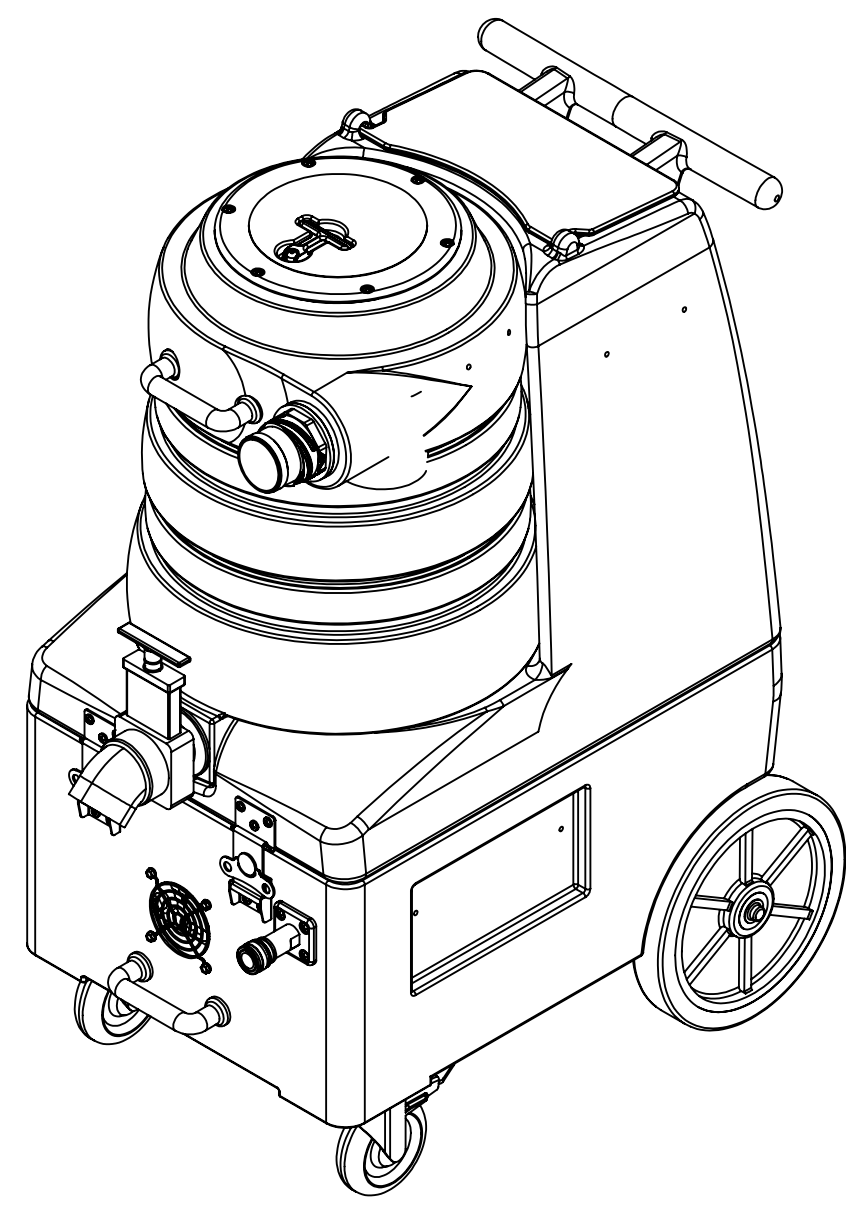


ITEM NO.	PART NO.	DESCRIPTION	QTY.	MSRP
1	H219	cap, axle, 1/2"	2	\$0.99 ea
2	H392	wheel, 10", White Hub & Gray Tread	2	\$35.49 ea
3	H254	washer, axle, cut 1/2" id	3	\$0.99 ea
4	H371	axle, 18.25" x .50" dia	1	\$9.99 ea
5	P696	base, breeze	1	\$135.99 ea
6	H668	caster, 4", black hub & gray tread	2	\$19.49 ea
7	H342	bolt, 1/4-20 x 1" hex head, s/s	8	\$0.99 ea
8	H210	washer, 1/4" flat, s/s	16	\$0.99 ea
9	H216	nut, lock, 1/4-20 nylon insert	12	\$0.99 ea
10	H768	bolt, 1/4-20 x 3/4" serrated hex flange, zinc	20	\$0.99 ea
11	H211	washer, 1/4" id x 1" od, flat, s/s	6	\$0.99 ea
12	H485	handle, breeze and dx	2	\$6.99 ea
13	H273	nut, kep, #10-32 zinc	18	\$0.99 ea
14	H484	plate, mounting, QD	1	\$4.99 ea
15	H256	screw, #10-32 x 3/4" phil pan head, zinc	4	\$0.99 ea
16	H212	washer, 9/16" id x 1" od, flat, s/s	1	\$0.99 ea
17	B107	nipple, brass, 1/4" m, hex	1	\$3.19 ea
18	B102	qd, brass, 1/4" f	1	\$17.99 ea
19	H343	screw, #10 x 5/8" hex head zinc	8	\$0.99 ea
20	H296	guard, cooling fan, wire	2	\$2.99 ea
21	H230	screw, 10-32 x 1/2 phil pan	32	\$0.99 ea
22	H486	latch, front breeze	2	\$13.99 ea
23	H641	plate, switch, 4 hole	1	\$6.99 ea
24	H389	screw, #10-32 x 1/2" SHCS, alloy	1	\$0.99 ea
25	E515	switch, rocker, 2 position	3	\$13.99 ea
26	AH184	hose, 3/8" x 14-1/2" (OAL), f	1	\$27.99 ea
27	B136	elbow, brass, 90 deg, 1/4" mpt x 1/4" mpt	1	\$4.99 ea
28	B105	bushing, brass, 3/8" mpt x 1/4"	1	\$3.19 ea
29	C305	pump, 120psi, demand, 115V	1	\$151.99 ea
30	H222	screw, #10-32 x 1-1/4" phil pan head, zinc	4	\$0.99 ea
31	B172	elbow, brass, 90 deg, 1/2" barb x 3/8" mpt	1	\$9.49 ea
32	H347	clamp, hose, 5/16-29/32	4	\$1.99 ea
33	PH615-24	sol hose, 1/2" kuri 100psi	1	\$8.99/ft
34	B160	adapter, brass, 1/2" barb x 3/8" fsw, ball end	1	\$3.49 ea
35	H253	plate, dual manifold, 9" x 13"	1	\$19.99 ea
36	PH628-24	vac hose, 2", black, wire reinforced	1	\$8.99/ft
37	H544	cuff hose, 2 X 2, wire reinforced	1	\$12.49 ea
38	G059	exhaust boot, plastisol	1	\$4.99 ea
39	H217	clamp, hose, 2-1/4 dia	4	\$1.49 ea
40	C301	vac motor, 2 stage, 115V, tangential	2	\$91.49 ea
41	H500	vac support, 2 stage, 3-1/8"	6	\$3.99 ea
42	PH628-8	vac hose, 2", black, wire reinforced	1	\$8.99/ft
43	G004	gasket, vacuum motor	2	\$8.99 ea
44	P735	manifold, single vac, no gasket	2	\$14.99 ea
45	H215	nut, hex, 1/4-20 s/s	7	\$0.99 ea
46	H221	nut, lock, 1/2" steel	1	\$1.99 ea
47	H220	fitting, strain relief, cord	1	\$3.19 ea
48	E532	power cord, end, 25', 14/3 yellow	1	\$44.99 ea
49	H487	bracket, hinge	2	\$4.49 ea
50	P697	sol tank, breeze	1	\$145.99 ea
51	G052	washer, buna 1-1/8" od x 3/16" id	4	\$1.99 ea
52	H203	bolt, 1/4-20 x 1-1/4" hex head	1	\$0.99 ea
53	H213	washer, 1/4" lock, s/s	1	
54	G062	lid, sol tank	1	\$12.99 ea
55	H390A	bracket, "L" (all extractors)	2	\$6.99 ea
56	H770	bolt, 1/4-20 x 1/2" serrated hex flange, zinc	4	\$0.99 ea
57	B119A	filter, strainer, 1/2"	1	\$6.49 ea
58	B210	bushing, brass, 1/2" mpt x 3/8" fpt, hex	1	\$2.49 ea
59	H299	washer, 11/16" id x 1-1/2" od x .075, s/s	4	\$0.99 ea
60	B216	nipple, brass, 3/8" x close	1	\$1.99 ea
61	B186	elbow, brass, 90 deg, 3/8" mpt x 3/8" fmpt	1	\$8.99 ea
62	H226	spout, drain, 45 degree	1	\$3.19 ea
63	H225	valve, drain, 1-1/2"	1	\$20.99 ea

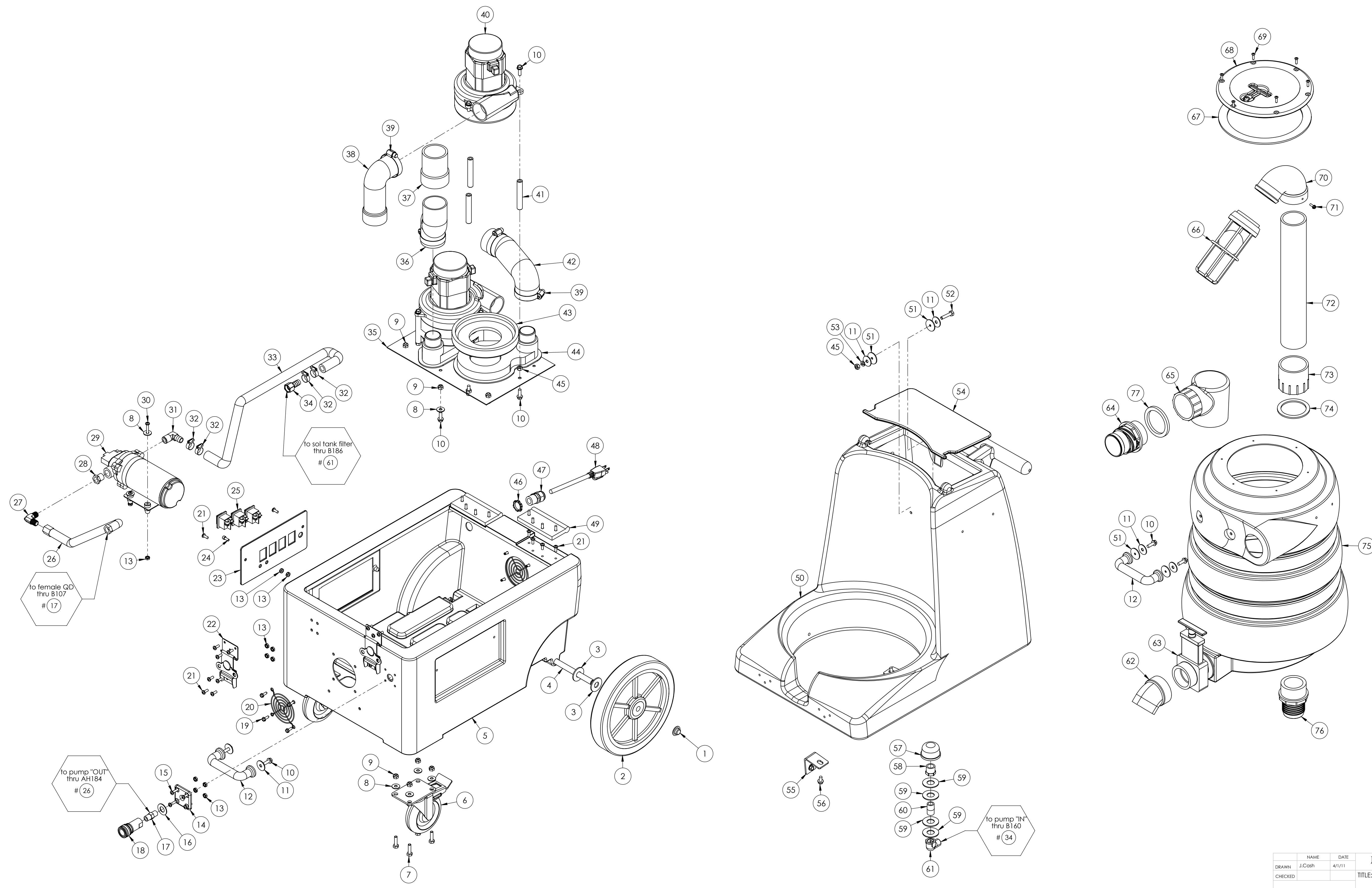
ITEM NO.	PART NO.	DESCRIPTION	QTY.	MSRP
64	H135	Cuff-Lynx, 2" m cuff x 2" mpt	1	\$3.99 ea
65	A926	elbow, inlet assembly 2"	1	\$15.99 ea
66	H490	float, 2", ball style	1	\$18.49 ea
67	G091	gasket, 7", vac lid	1	\$11.99 ea
68	G090	lid, vac tank, black, 7"	1	\$36.99 ea
69	H304	screw, #8 x 5/8 phil oval, s/s	6	\$0.99 ea
70	P726	elbow, 2" float	1	\$11.49 ea
71	H297	screw, #8 x 1/2", hex head, zinc	3	\$0.99 ea
72	P682-14	pipe, pvc, 2"	1	\$7.99/ft
73	P684	adaptor, pvc 2, fmsl x fmt	1	\$6.99 ea
74	G002	gasket, cam fitting polyethylene, 2.35" OD 1.90" ID	1	\$6.49 ea
75	P698	vac tank, breeze	1	\$138.99 ea
76	P685	inlet, 2"	1	\$10.99 ea
77	G083	gasket, 2" inlet	1	\$2.49 ea
78	H612	washer, #8 flat, s/s	1	\$0.99 ea

**Items Not Shown**

PART NO.	DESCRIPTION	QTY	MSRP
G085	gasket, strip 3/4" x 36" x 1/8"	2	\$4.99 ea
H140	Cuff-Lynx, female swivel x female thread 2"	1	\$3.99 ea
H141	Cuff-Lynx, 2" to 1.5" reducer	1	\$3.99 ea
H375	hanger, wire formed, hose	1	\$10.99 ea
H230	screw, 10-32 x 1/2" phil pan head, s/s	2	\$0.99 ea
H110	cuff-lynx, 2" hose x 2" fem swivel cuff-lynx	1	\$3.99 ea
AD127	stop sign, register your product	1	
ADM-CUFF-LYNX	instruction guide, cuff-lynx	1	



NAME		DATE		<b>MYTEE PRODUCTS, INC.</b> 858-679-1191	
DRAWN J. Cash		4/1/11			
CHECKED				TITLE:	
				breeze	
<small>PROPRIETARY AND CONFIDENTIAL</small> <small>THE INFORMATION CONTAINED IN THIS DRAWING IS THE SOLE PROPERTY OF MYTEE PRODUCTS, INC. ANY REPRODUCTION IN PART OR AS A WHOLE WITHOUT THE WRITTEN PERMISSION OF MYTEE PRODUCTS, INC. IS PROHIBITED.</small>		SIZE	DWG. NO.	REV	
		<b>C</b>	<b>RL-100</b>	<b>OD</b>	
		SCALE: 1:7	DO NOT SCALE DRAWING	SHEET 1 OF 2	



NAME		DATE		MYTEE PRODUCTS, INC.	
DRAWN J.Cgsh		4/1/11		850-679-1191	
CHECKED				TITLE:	
				breeze	
PROPRIETARY AND CONFIDENTIAL		SIZE DWG. NO.		REV	
THE INFORMATION CONTAINED IN THIS DRAWING IS THE SOLE PROPERTY OF MYTEE PRODUCTS, INC. ANY REPRODUCTION IN PART OR AS A WHOLE WITHOUT THE WRITTEN PERMISSION OF MYTEE PRODUCTS, INC. IS PROHIBITED.		D RL-100		od	
		SCALE: 1:4.5		DO NOT SCALE DRAWING SHEET 2 OF 2	