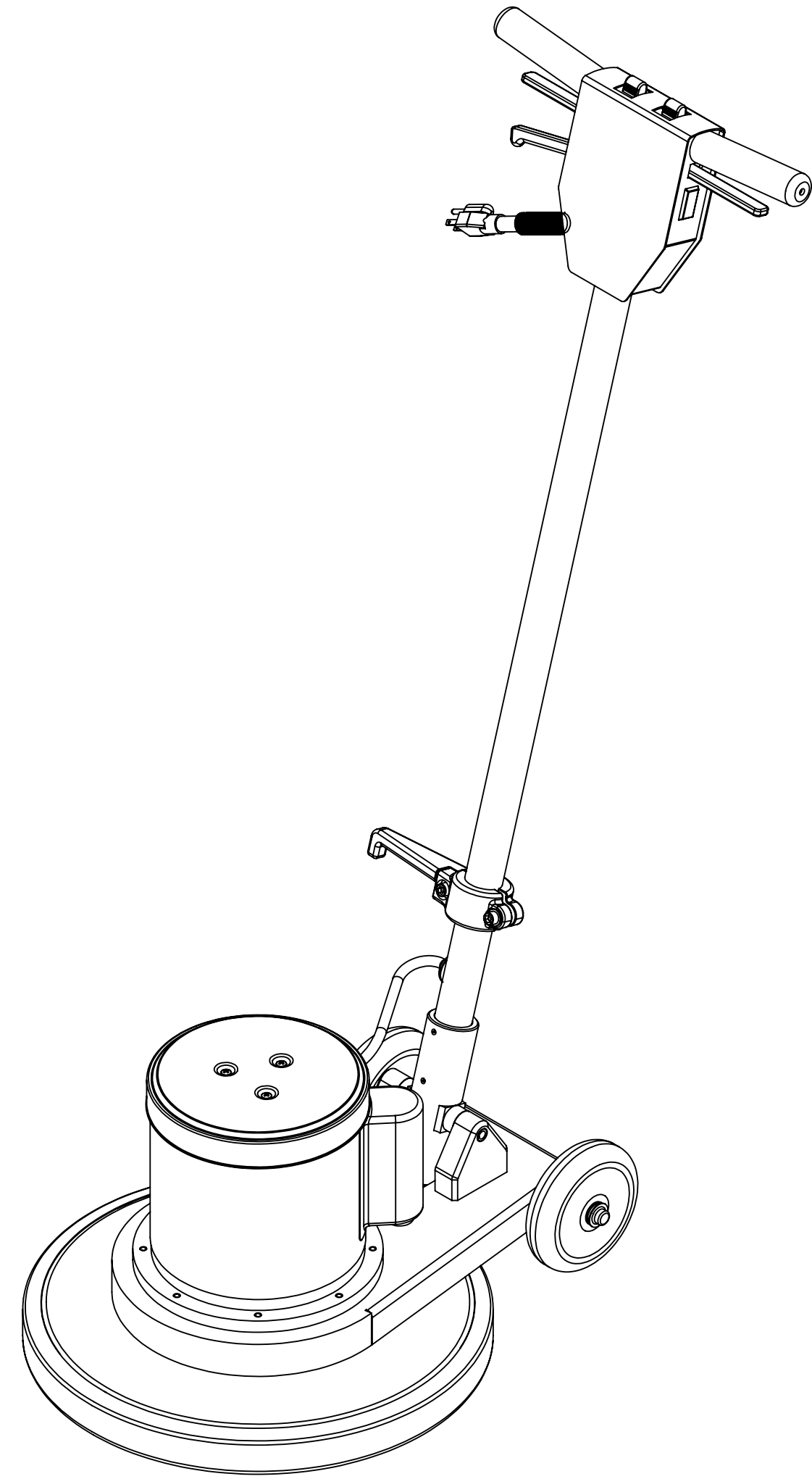


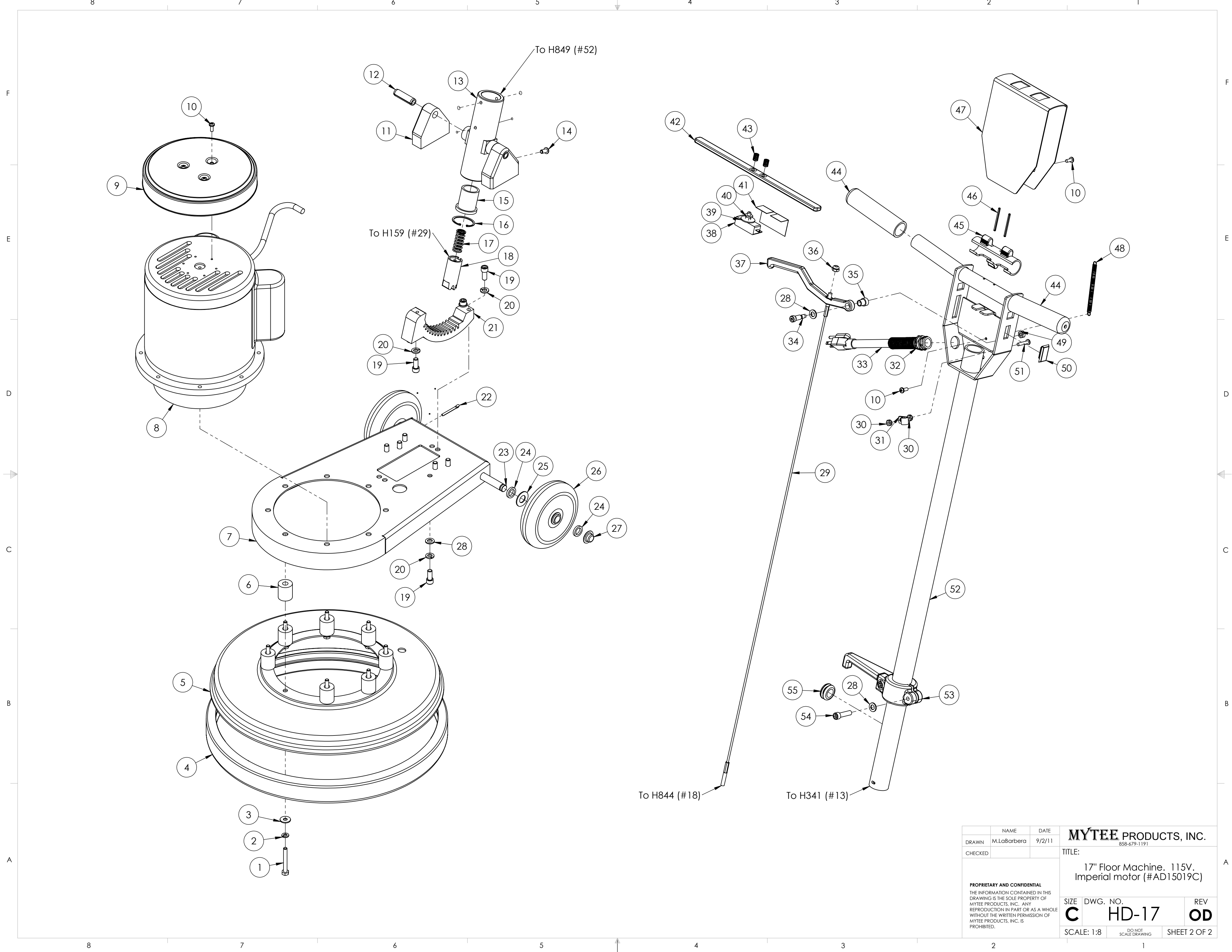
ITEM NO.	PART NO.	DESCRIPTION	QTY.	MSRP
1	H169	bolt, 1/4-20 x 2", hex head	8	\$3.19 ea
2	H213	washer, 1/4" lock, s/s	8	\$0.99 ea
3	H210	washer, 1/4" flat, s/s	8	\$0.99 ea
4	G032	bumper, 17", floor machine	1	\$28.99 ea
5	H608	bell housing, 17"	1	\$47.99 ea
6	P540	spacer, bell housing/chassis	8	\$0.99 ea
7	H848	chassis, floor machine	1	\$41.99 ea
8	C314	motor, 1.5 HP, 60HZ, 120/240 V	1	\$578.99 ea
9	H143	motor cover, floor machine	1	\$25.99 ea
10	H230	screw, 10-32 x 1/2 phil pan	6	\$0.99 ea
11	H841	support, pivot, floor machine	2	\$21.99 ea
12	H702	roll pin, 1 3/4" x 1/2", pivot, floor machine	2	\$0.99 ea
13	H341	handle pivot, floor machine	1	\$74.99 ea
14	H705	bolt, guide, locking piston	1	\$0.99 ea
15	H847	bushing, locking piston	1	\$17.99 ea
16	H152	retaining ring, internal 1 1/2"	1	\$5.99 ea
17	H157	spring, handle adjustment	1	\$5.99 ea
18	H844	locking piston, handle adj.	1	\$19.99 ea
19	H151	bolt, 5/16-18 x 3/4" Long SHCS	10	\$0.99 ea
20	H421	washer, 5/16" lock, s/s	10	\$0.99 ea
21	H843	locking arc, handle adj, floor machine	1	\$51.99 ea
22	H153	cotfor pin, 1 1/2" x 5/32"	1	\$0.99 ea
23	H340	axle, 12.25" x .50" dia	1	\$7.99 ea
24	H427	washer, wave, 5806-60-3	4	\$1.49 ea
25	H212	washer, 9/16" id x 1" od, flat, s/s	2	\$0.99 ea
26	H170	wheel, 5"	2	\$11.99 ea
27	H219	cap, axle, 1/2"	2	\$0.99 ea
28	H148	washer, 5/16", narrow	8	\$0.99 ea
29	H159	cable, handle adj, floor machine	1	\$6.99 ea
30	H273	nut, kep, #10-32 zinc	2	\$0.99 ea
31	H916	clip, cord, 5/16", nylon	1	\$0.99 ea
32	H144	strain relief, power cord, floor machine	1	\$6.99 ea
33	E789	50' 14/3 Extension cord - Yellow	1	\$49.99 ea
34	H149	bolt, 5/16 shldr x 5/8" w/ 1/4-20 thrd	1	\$1.99 ea
35	P529	spacer, lever, handle adj.	1	\$1.99 ea
36	H216	nut, lock, 1/4-20, nylon insert, s/s	1	\$0.99 ea
37	H839	lever, handle adj., floor machine	1	\$7.99 ea
38	H167	switch, floor machine	1	\$13.99 ea
39	H211	washer, 1/4" id x 1" od, flat, s/s	1	\$0.99 ea
40	H275	6-32 x 3/16 p-pan internal sem zinc	1	\$0.99 ea
41	H166	insulation, switch, floor machine	1	\$3.99 ea
42	H855	lever, switch, floor machine	1	\$6.99 ea
43	H160	spring, switch/lever	2	\$0.99 ea
44	G040	grip, handle, floor machine	2	\$1.99 ea
45	P541	lockout, floor machine	1	\$1.99 ea
46	H161	roll pin, 1 3/4" x 1/8", floor machine	2	\$0.99 ea
47	H610	switch cover floor machine	1	\$16.99 ea
48	H168	spring, lockout, floor machine	1	\$1.99 ea
49	H215	nut, hex, 1/4-20 s/s	1	\$0.99 ea
50	P524	plug, plastic, floor machine handle	1	\$0.99 ea
51	H231	screw, 10-32 x 1" phil pan	1	\$0.99 ea
52	H849	handle, floor machine	1	\$89.99 ea
53	H165	cord, hook, floor machine	1	\$23.99 ea
54	H150	bolt, 5/16-18 x 1 1/4" Long SCHS	2	\$0.99 ea
55	H164	grommet, floor machine, 3/16" groove	1	\$1.99 ea



20" VERSION:

PART NO.	DESCRIPTION	QTY.	REPLACES	MSRP
G041	bumper, 20", floor machine	1	G032 (#4)	\$31.99 ea
H609	bell housing, 20"	1	H608 (#5)	\$64.99 ea

NAME	DATE	<b>MYTEE PRODUCTS, INC.</b>		
DRAWN M.LaBarbera	9/2/11	858-679-1191		
CHECKED		TITLE:		
<small>PROPRIETARY AND CONFIDENTIAL THE INFORMATION CONTAINED IN THIS DRAWING IS THE SOLE PROPERTY OF MYTEE PRODUCTS, INC. ANY REPRODUCTION IN PART OR AS A WHOLE WITHOUT THE WRITTEN PERMISSION OF MYTEE PRODUCTS, INC. IS PROHIBITED.</small>		17" Floor Machine. 115V. Imperial motor (#AD15019C)		
		SIZE	DWG. NO.	REV
		<b>C</b>	<b>HD-17</b>	<b>OD</b>
SCALE: 1:8		DO NOT SCALE DRAWING	SHEET 1 OF 2	



	NAME	DATE	<b>MYTEE PRODUCTS, INC.</b>			
DRAWN	M.LaBarbera	9/2/11	858-679-1191			
CHECKED			TITLE:			
<small> <b>PROPRIETARY AND CONFIDENTIAL</b>            THE INFORMATION CONTAINED IN THIS DRAWING IS THE SOLE PROPERTY OF MYTEE PRODUCTS, INC. ANY REPRODUCTION IN PART OR AS A WHOLE WITHOUT THE WRITTEN PERMISSION OF MYTEE PRODUCTS, INC. IS PROHIBITED.         </small>			17" Floor Machine, 115V, Imperial motor (#AD15019C)			
			SIZE	DWG. NO.	REV	
			<b>C</b>	<b>HD-17</b>	<b>OD</b>	
			SCALE: 1:8	DO NOT SCALE DRAWING	SHEET 2 OF 2	