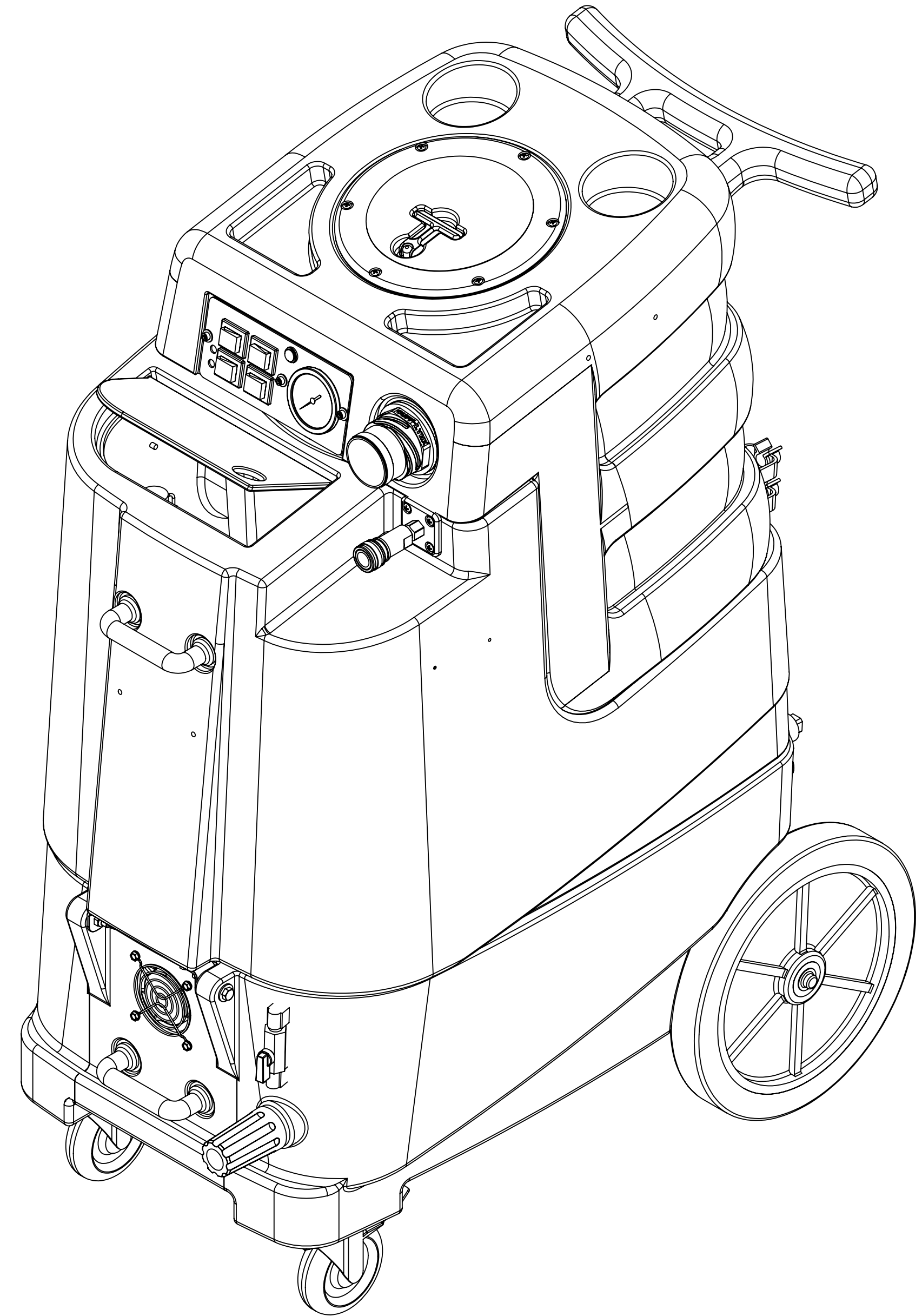


ITEM NO.	PART NO.	DESCRIPTION	QTY.	MSRP
1	C317	fan, cooling, 115V	1	\$21.49 ea
2	H296	guard, cooling fan, wire	3	\$2.99 ea
3	H343	screw, #10 x 5/8" hex head zinc	15	\$0.99 ea
4	H485	handle, breeze and dx	2	\$6.99 ea
5	H211	washer, 1/4" id x 1" od, flat, s/s	8	\$0.99 ea
6	H768	bolt, 1/4-20 x 3/4" serrated hex flange, zinc	10	\$0.99 ea
7	B103	elbow, brass, 90 deg, 1/4" mpt x 1/4" fpt	7	\$4.49 ea
8	B656	ball valve, 1/4"	1	\$13.49 ea
9	H216	nut, lock, 1/4-20 nylon insert	14	\$0.99 ea
10	H458	nut, lock, 10-32, thin pattern	3	\$0.99 ea
11	H210	washer, 1/4" flat, s/s	24	\$0.99 ea
12	H668	caster, 4", black hub & gray tread	2	\$19.49 ea
13	H342	bolt, 1/4-20 x 1" hex head, s/s	8	\$0.99 ea
14	P707	base, m series	1	\$196.99 ea
15	H232	axle, 19.75" x .50"	1	\$9.99 ea
16	H254	washer, axle, cut 1/2" id	4	\$0.99 ea
17	H251	wheel, 12"	2	\$41.99 ea
18	H219	cap, axle, 1/2"	2	\$0.99 ea
19	B196	fitting, brass, 3/4" mgh x 1/2" fpt	1	\$5.99 ea
20	B120	cap, brass, 3/4", garden hose	1	\$1.49 ea
21	B642	swivel, brass, 3/4" fgh x 1/2" fpt	1	\$5.49 ea
22	B640	filter, 60 mesh, garden hose	1	\$1.99 ea
23	B221	plug, brass, 3/4", garden hose	1	13.99 ea
24	H273	nut, kep, #10-32 zinc	14	\$0.99 ea
25	H486	latch, front breeze	2	\$13.99 ea
26	H230	screw, 10-32 x 1/2 phil pan	18	\$0.99 ea
27	G131	connector, cord lock	2	\$4.99 ea
28	E550	power cord, pigtail, 30', 12/3, black	2	\$11.49 ea
29	H220	fitting, strain relief, cord	2	\$3.19 ea
30	H221	nut, lock, 1/2" steel	2	\$1.99 ea
31	H191	washer, zinc, 1.625 x .847 x .078	2	\$1.99 ea
32	B132	adapter, brass, 1/2" barb x 1/2" mpt	1	\$9.49 ea
33	H347	clamp, hose, 5/16-29/32	24	\$1.99 ea
34	PH615-17	sol hose, kuriama, 1/2"	1	\$8.99/ft
35	H222	screw, #10-32 x 1-1/4" phil pan head, zinc	4	\$0.99 ea
36	C381	pump out, 115v	1	\$187.49 ea
37	PH615-37	sol hose, kuriama, 1/2"	1	\$8.99/ft
38	B210	bushing, brass, 1/2" mpt x 3/8" fpt, hex	3	\$2.49 ea
39	B105	bushing, brass, 3/8" mpt x 1/4"	7	\$3.19 ea
40	AH202	hose, pulse, 3/8" x 34" OAL	1	\$39.99 ea
41	H601	plate, manifold, parallel	1	\$13.49 ea
42	H202	bolt, 1/4-20 x 3/4" hex head, s/s	10	\$0.99 ea
43	H188	screw, 1/4-20 x 1, phil flat full thread, black oxide	3	\$0.99 ea
44	P750	manifold, dual vac, parallel	1	\$15.99 ea
45	PH628-20	vac hose, 2", black, wire reinforced	1	\$8.99/ft
46	H544	cuff hose, 2 X 2, wire reinforced	1	\$12.49 ea
47	G004	gasket, vacuum motor	2	\$8.99 ea
48	H500	vac support, 2 stage, 3-1/8"	6	\$3.99 ea
49	C310	vac motor, 2 stage high performance	2	\$103.99 ea
50	H217	clamp, hose, 2-1/4 dia	3	\$1.49 ea
51	G059	exhaust boot, plastisol	2	\$4.99 ea
52	H212	washer, 9/16" id x 1" od, flat, s/s	6	\$0.99 ea
53	B107	nipple, brass, 1/4" m, hex	3	\$3.19 ea
54	B235	adapter, brass, 3/8" barb x 1/4" fsw	2	\$7.99 ea
55	PH715-27	sol hose, kuriyama, 3/8"	1	\$7.99/ft
56	B242	tee, brass, 3/8" fpt x 3/8" mpt x 3/8" fpt	2	\$13.99 ea
57	B652	elbow, brass, 90 deg, 3/8" mpt x 1/4" mpt	1	\$8.49 ea
58	B111	adapter, brass, extender, 1/4" mpt x 1/4" fpt, hex	6	\$3.49 ea
59	AH104	sol hose, 3/8" x 10"	2	\$47.99 ea
60	H306B	unloader, 1200 psi	1	\$126.49 ea
61	B160	adapter, brass, 1/2" barb x 3/8" fsw, ball end	2	\$3.49 ea
62	PH615-22	sol hose, 1/2" kuri 100psi	1	\$8.99/ft
63	B644	adapter, brass, 1/2" barb x 1/4" mpt	3	\$2.49 ea
64	C359A	pump, 1000 psi	1	\$708.99 ea
65	AH203	hose, pulse, 3/8" x 34", OAL	2	\$47.99 ea
66	PH615-34	sol hose, 1/2" kuri 100psi	1	\$8.99/ft
67	B186	elbow, brass, 90 deg, 3/8" mpt x 3/8" fmpt	5	\$8.99 ea
68	B172	elbow, brass, 90 deg, 1/2" barb x 3/8" mpt	1	\$9.49 ea
69	PH615A-8	solution hose, black, low pressure, 1/2"	1	\$5.99 ft
70	H541	valve, float, autofill	1	\$124.99 ea

ITEM NO.	PART NO.	DESCRIPTION	QTY.	MSRP
71	B115	nipple, 12" x 1/4" npt, m x m	1	\$23.99 ea
72	H299	washer, 11/16" id x 1-1/2" od x .075, s/s	11	\$0.99 ea
73	P708	sol tank, m series	1	\$210.99 ea
74	G212	cover, sol tank (m-series)	1	\$12.99 ea
75	G052	washer, buna 1-1/8" od x 3/16" id	6	\$1.99 ea
76	H378	bracket, front hinge, sp/fb	1	\$8.99 ea
77	H213	washer, 1/4" lock, s/s	4	\$0.99 ea
78	H201	bolt, 1/4-20 x 1/2", hex head, zinc	2	\$0.99 ea
79	H204	bolt, 1/4-20 x 1-3/4" hex head, s/s	2	\$0.99 ea
80	B216	nipple, brass, 3/8" x close	2	\$1.99 ea
81	B130	45 deg, street elbow, brass, 1/4" male NPTF	2	\$5.49 ea
82	B119A	filter, strainer, 1/2"	1	\$6.49 ea
83	B102	qd, brass, 1/4" f	1	\$17.99 ea
84	H484	plate, mounting, QD	1	\$4.99 ea
85	AH195	sol, hose, 57 x 1/4"	1	\$37.99 ea
86	H215	nut, hex, 1/4-20 s/s	2	\$0.99 ea
87	H203	bolt, 1/4-20 x 1-1/4" hex head, s/s	2	\$0.99 ea
88	H389	screw, #10-32 x 1/2" SHCS, alloy	3	\$0.99 ea
89	H612	washer, #8 flat, s/s	3	\$0.99 ea
90	E515	switch, rocker, 2 position	4	\$13.99 ea
91	E512B	light, indicator, 125v (amber)	1	\$9.99 ea
92	H308D	gauge, pressure, 2000 PSI	1	\$38.99 ea
93	H337	plate, switch, sp, 4 hole w/gauge	1	\$8.99 ea
94	P709	vac tank, m series	1	\$243.99 ea
95	H390A	bracket, "L" (all extractors)	2	\$6.99 ea
96	H770	bolt, 1/4-20 x 1/2" serrated hex flange, zinc	4	\$0.99 ea
97	H333	mesh filter, auto dump, 1/2" npt	1	\$9.99 ea
98	B236	elbow, brass, 90 deg, 1/2" barb x 3/8" fpt	1	\$14.49 ea
99	B119	filter, strainer, 1/4"	1	\$3.99 ea
100	B106	nipple, brass, 1/4" x close	1	\$3.49 ea
101	H135	Cuff-Lynx, 2" m cuff x 2" mpt	1	\$3.99 ea
102	G002	gasket, cam fitting polyethylene, 2.35" OD 1.90" ID	1	\$6.49 ea
103	A926	elbow, inlet assembly 2"	1	\$15.99 ea
104	H225	valve, drain, 1-1/2"	1	\$20.99 ea
105	P685	inlet, 2"	1	\$10.99 ea
106	P684	adaptor, pvc 2, fmsl x fmsl	1	\$6.99 ea
107	P682	pipe, pvc, 2"	1	\$7.99/ft
108	P726	elbow, 2" float	1	\$11.49 ea
109	H490	float, 2", ball style	1	\$18.49 ea
110	G091	gasket, 7", vac lid	1	\$11.99 ea
111	G090	lid, vac tank, black, 7"	1	\$36.99 ea
112	H304	screw, #8 x 5/8 phil oval, s/s	6	\$0.99 ea

ITEMS NOT SHOWN

PART NO	DESCRIPTION	QTY	MSRP
G085	gasket, strip, 3/4" x 36" x 1/8"	2	\$4.99 ea
E564	controller, circuit light	1	\$62.49 ea
G010	filter, bag, vac tank, draw string	1	\$9.99 ea
H375	hanger, wire formed, hose	1	\$10.99 ea



NAME	DATE	MYTEE PRODUCTS, INC. 888-679-1191
DRAWN M. LaBarbera	5/25/11	
CHECKED		TITLE:
<small> PROPRIETARY AND CONFIDENTIAL THE INFORMATION CONTAINED IN THIS DRAWING IS THE SOLE PROPERTY OF MYTEE PRODUCTS, INC. ANY REPRODUCTION IN PART OR AS A WHOLE WITHOUT THE WRITTEN PERMISSION OF MYTEE PRODUCTS, INC. IS PROHIBITED. </small>		SIZE DWG. NO. REV D M16 od
SCALE: 1:32		DO NOT SCALE DRAWING SHEET 1 OF 2

