

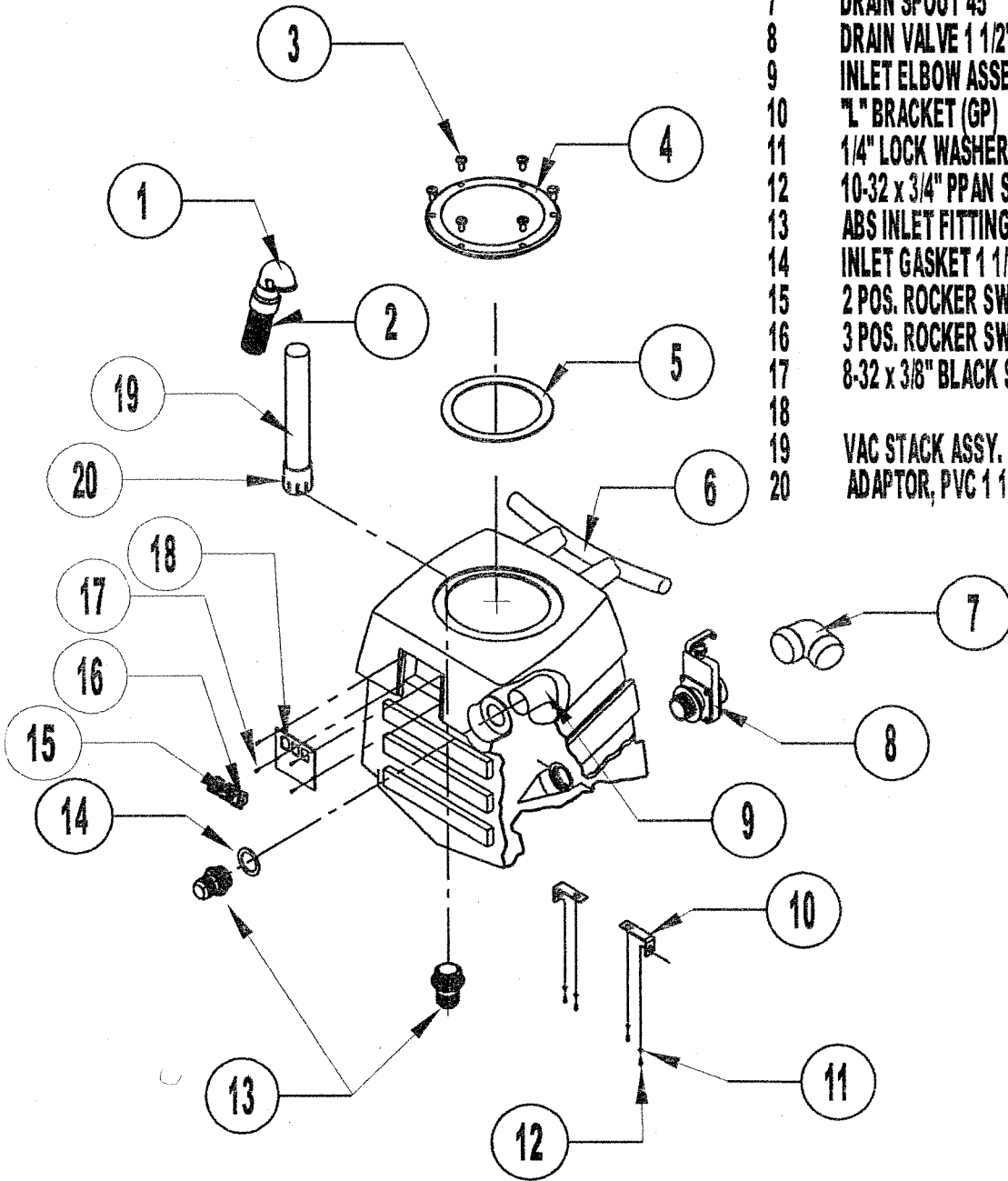
GRAND PRIX III MODEL

HP500

- 8" STURDY WHEELS
- DURABLE 4" CASTORS
- WAIST HIGH SWITCHES
- 12 GALLON CAPACITY
- 500 PSI SOLUTION PUMP
- 140" OF WATER LIFT
- 2000WT IN-LINE HEATER
- DUAL 50' UL LISTED POWER CORDS
- 15' HIGH PRESSURE VAC AND SOL HOSE
- 3" S/S AND PLASTIC UPHOLSTERY TOOL
- 25' PRESSURE WASHING HOSE AND GUN

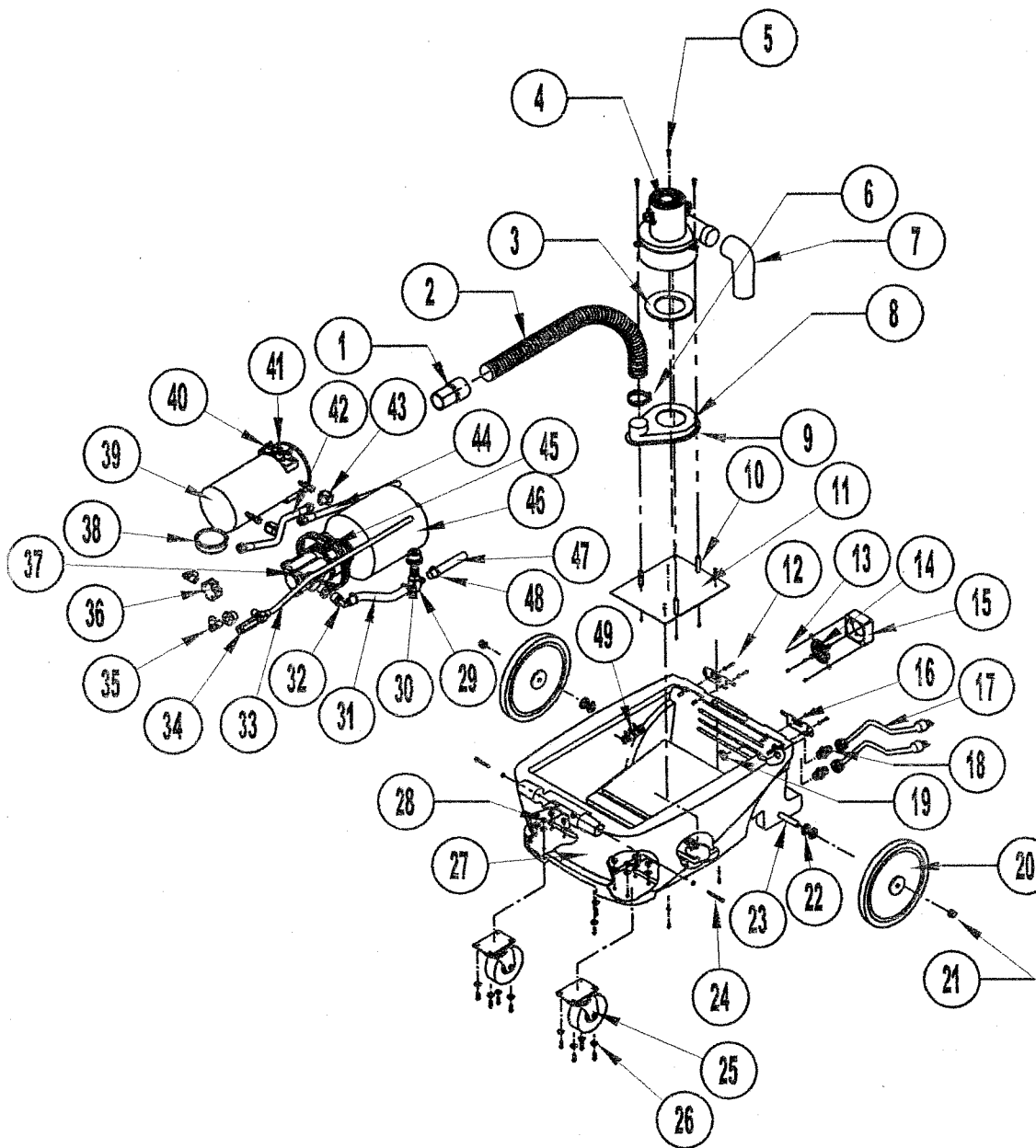
**GRANPRIX III MODEL HP500
VAC TANK AND PARTS**

ITEM	DESCRIPTION	QTY	PART #
1	FLOAT ASSEMBLY WITH ELBOW	1	A908
2	FLOAT CAGE WITH BALL ONLY	1	H235
3	# 8 x 5/8" PHIL OVAL SCREW	6	H304
4	VAC TANK LID NEW STYLE (GP)	1	G056
5	VAC LID GASKET (GP)	1	G060
6	PLASTIC VAC TANK (GP)	1	P758
7	DRAIN SPOUT 45°	1	H226
8	DRAIN VALVE 1 1/2"	1	H225
9	INLET ELBOW ASSEMBLY	1	A925
10	"L" BRACKET (GP)	2	H602
11	1/4" LOCK WASHER	4	H213
12	10-32 x 3/4" PPAW SCREW	4	H256
13	ABS INLET FITTING 1 1/2" BLACK	2	H229
14	INLET GASKET 1 1/2"	3	G001
15	2 POS. ROCKER SWITCH	2	E515
16	3 POS. ROCKER SWITCH	1	E516
17	8-32 x 3/8" BLACK SCREW	4	H246
18		1	H326
19	VAC STACK ASSY. 1 1/2" x 11"	1	H227
20	ADAPTOR, PVC 1 1/2"	1	H244



**MYTEE PRODUCTS INC.
MARCH 2000**

**GRANPRIX II MODEL HP500
BASE AND COMPONENTS**

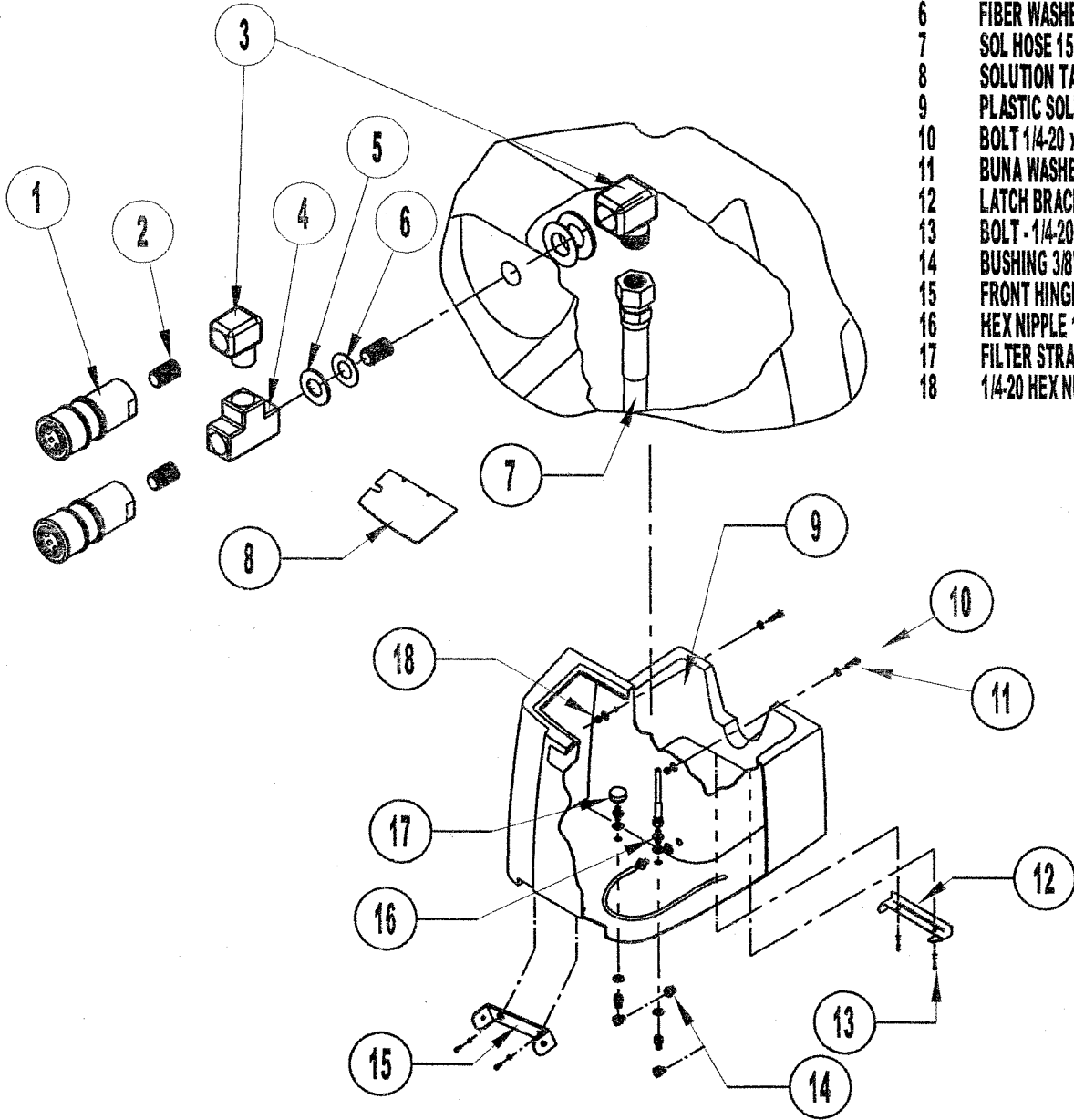


ITEM	DESCRIPTION	QTY	PART #
1	HOSE CUFF 1 1/2" BLACK	1	H300
2	VAC HOSE 1 1/2" X 20"	1	H247
3	VAC MOTOR GASKET	1	G004
4	3 STAGE VAC MOTOR 115V	1	C302
4	3 STAGE VAC MOTOR 230V	1	C304
5	BOLT - 1/4-20 X 1"	3	H342
6	HOSE CLAMP 1 5/16" x 2 1/4"	1	H217
7	EXHAUST BOOT - PLASTISOL	1	G059
8	SINGLE MANIFOLD (PLASTIC)	1	P735
9	SINGLE MANIFOLD GASKET	1	G040
10	3 STAGE VAC SUPPORT 4 1/16"	3	H500
11	SIB=NGLW MANIFOLD PLATE	1	H330
12	BOLT - 1/4-20 X 3/4"	19	H202
13	10-32 SELF TAPPING SCREW	4	H206
14	WIRE FANGUARD	1	H296
15	COOLING FAN 115V	1	C317
15	COOLING FAN 230V	1	C318
16	HINGE PIN SET	1	H223
17	POWER CORD 25' 12/3	2	E531
18	STRAIN RELIEF FITTING	2	H220
19	1/2" STEEL LOCKNUT	2	H221
20	8" WHEEL	2	H239
21	1/2" AXLE CAP	2	H219
22	AXLE WASHERS CUT 5/8" ID	3	H254
23	AXLE 1/2" x 18 1/4" (SP)	1	H371
24	BOLT - 1/4-20 X 1 1/2"	2	H316
25	3" CASTER	2	H238
26	1/4" FLAT WASHER	37	H210
27	PLASTIC BASE (GP)	1	P756
28	1/4-20 LOCKNUT	15	H216
29	IN-LINE FILTER	1	B175
30	FILTER SCREEN FOR B175	1	B175A
31	SOL HOSE 11" (inlet-filter)	1	AH143
32	HOSE BARB 1/2" B x 3/8" NPT	1	B195
33	SOL HOSE 20" (sw x fmp)	1	AH106
34	REGULATOR 50-450	1	H306
35	1/4" BRASS 90°	1	B136
36	1/4" "X" FITTING	1	B179
37	500 PSI SOLUTION PUMP ONLY	1	C336
38	PRESSURE GAUGE 0-1000 PSI	1	H308B
39	2000WATT HEATER ASSY 115V	1	A903
39	2000WATT HEATER ASSY 230V	1	A903A
40	210° THERMOSTAT	2	E573
41	375° THERMOSTAT	2	E574
42	SOL HOSE 15 3/4" (sw x fmp)	1	AH104
43	90° 1/4" M x FM	3	B103
44	SOL HOSE 20" (sw x mp)	1	AH106
45	OIL BATH HOSE	1	AH116
46	1/2 HP MOTOR 115V	1	C337
46	1/2 HP MOTOR 230V	1	C338
47	SOL HOSE INLET 8" (sw x open)	1	AH144
48	HOSE CLAMP 1/2" x 7/8"	4	H258
49	TERMINAL BLOCK	2	E525

500 PSI PUMP W/ 1/2 HP MOTOR 115V	1	C353
500 PSI PUMP W/ 1/2 HP MOTOR 230V	1	C354
MAINTENANCE KIT FOR CAT PUMP	1	RK0009

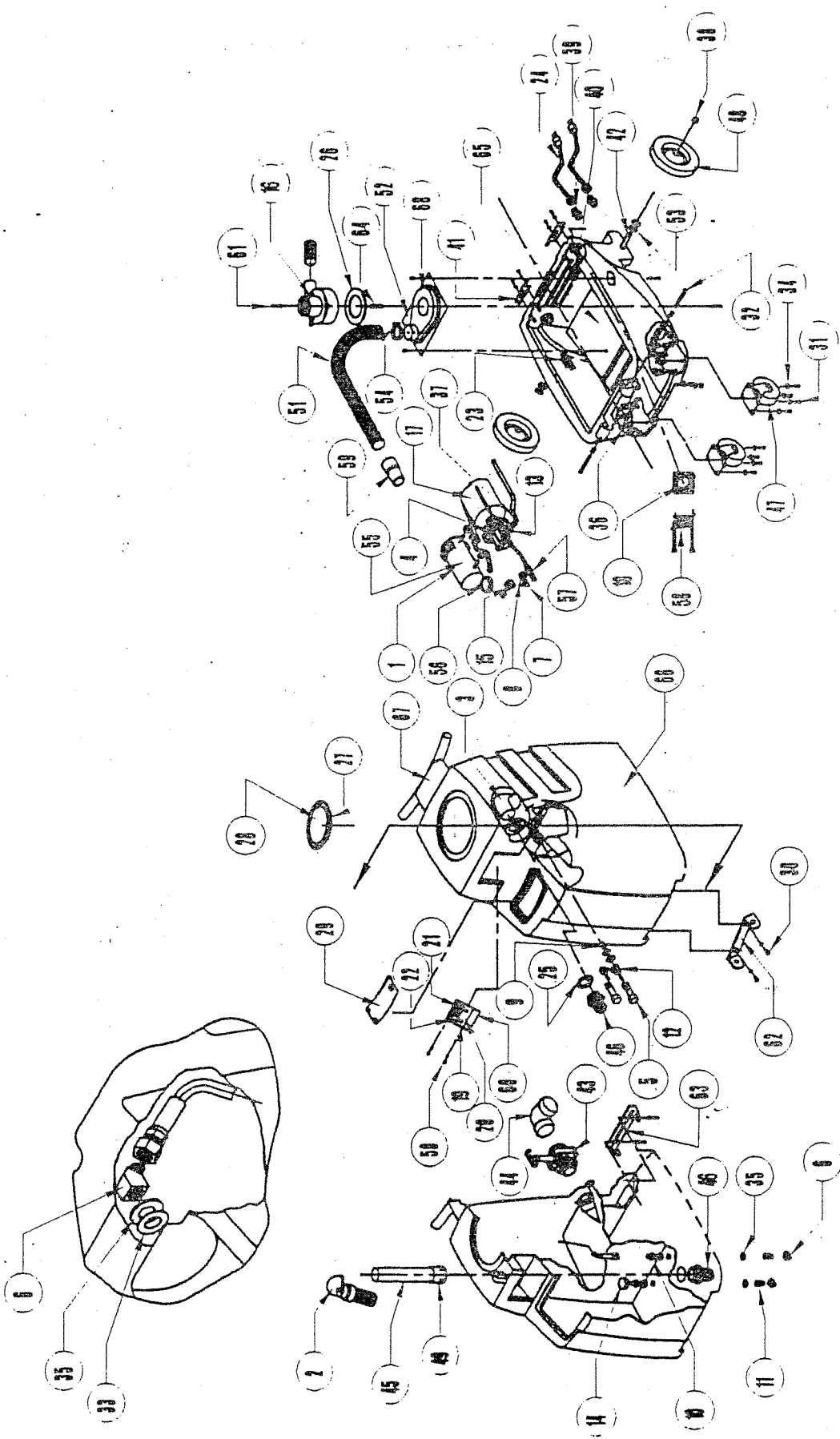
**MYTEE PRODUCTS INC.
MARCH 2000**

**GRANPRIX III MODEL HP500
SOLUTION TANK AND PARTS**



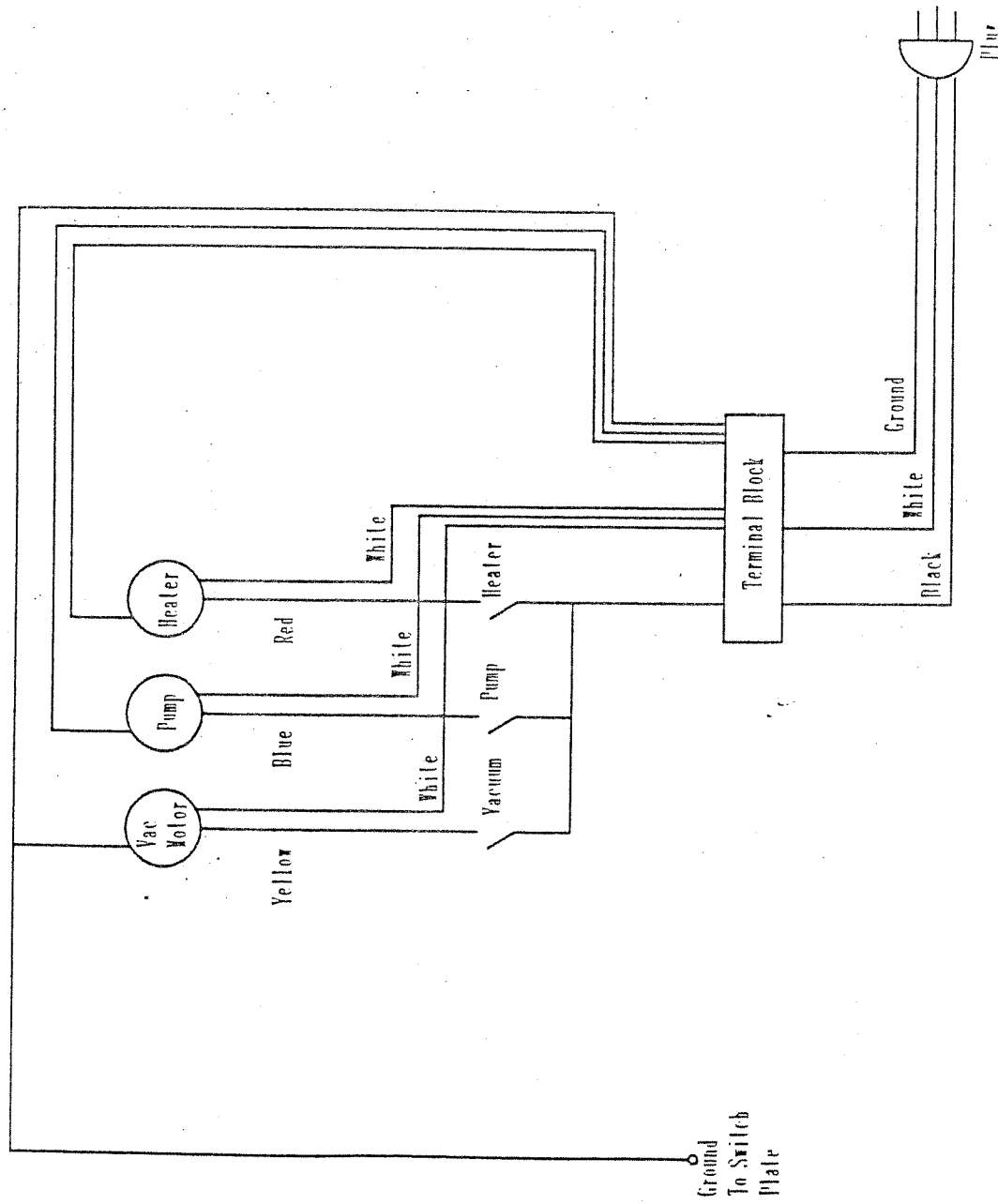
ITEM	DESCRIPTION	QTY	PART #
1	1/4" FEMALE QD	2	B102
2	CLOSE NIPPLE 1/4"	3	B106
3		4	B103
4	1/4" FEMALE TEE	1	B113
5	S/S WASHER 9/16"ID x 1"OD	8	H212
6	FIBER WASHER 9/16"ID	2	H207
7	SOL HOSE 15 3/4" (sw x fmp)	1	AM104
8	SOLUTION TANK COVER (GP)	1	G061
9	PLASTIC SOLUTION TANK (GP)	1	P757
10	BOLT 1/4-20 x 1 1/4"	2	H203
11	BUNA WASHER 1/8"ID	4	G052
12	LATCH BRACKET	1	H332
13	BOLT - 1/4-20 x 1/2"	4	H201
14	BUSHING 3/8" x 1/4"	1	B105
15	FRONT HINGE BRACKET	1	H378
16	HEX NIPPLE 1/4"	2	B107
17	FILTER STRAINER 1/4"	1	B119
18	1/4-20 HEX NUT	2	H215

GRAND PRIX III MODEL HP500



MYTEE PRODUCTS INC.
12/13/99

RAND PRIX II MODEL HP500



MYTEE PRODUCTS INC.
12/15/98