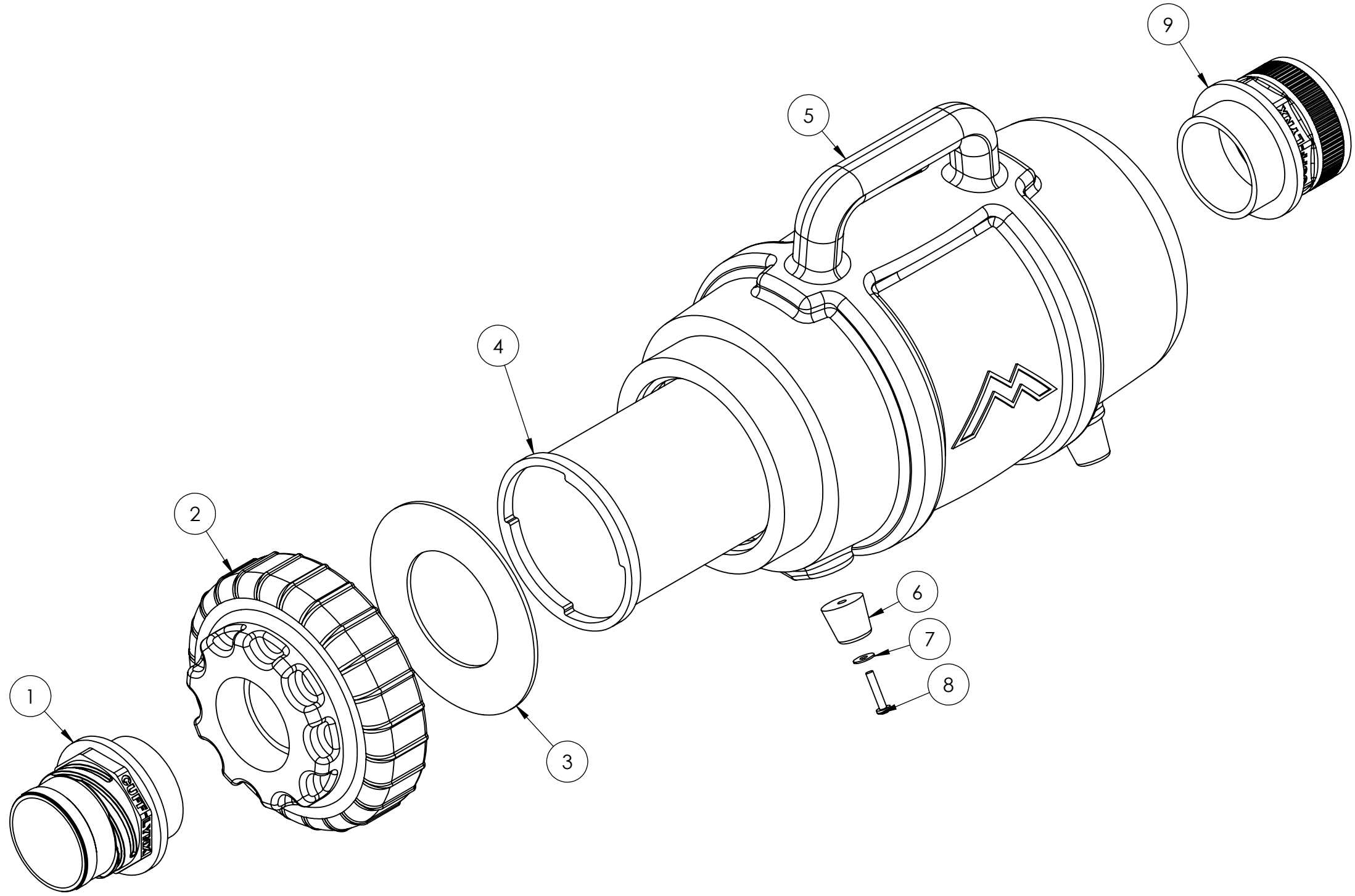
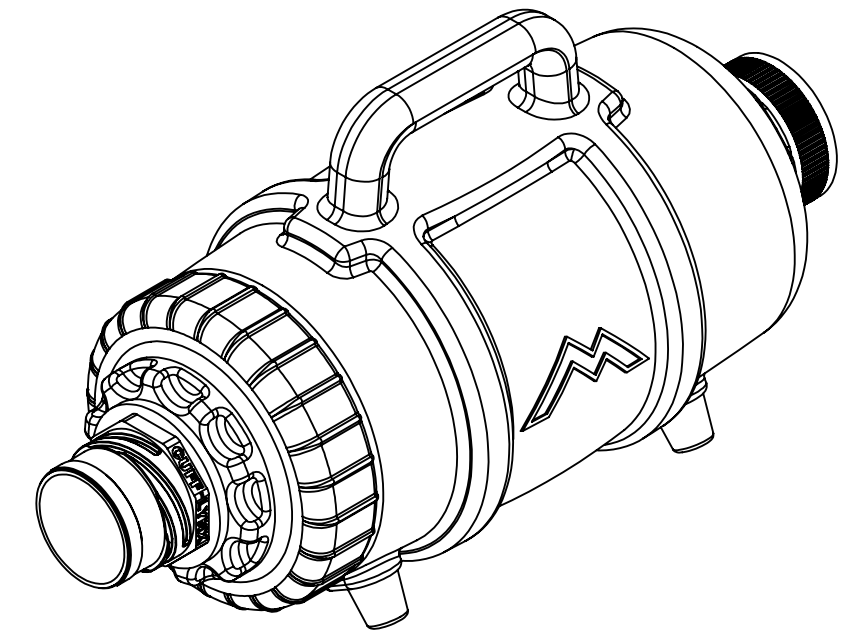


ITEM NO.	PART NO.	DESCRIPTION	QTY.	MSRP
1	H132	Cuff-Lynx, 2.5" m cuff x 2.5" mpt	1	\$4.99 ea
2	P562	cap, 6", threaded, w/ 2.5" npt	1	\$9.99 ea
3	G031	gasket, 3.25" i.d. x 5.88" o.d.	1	\$6.99 ea
4	H359	basket, strainer, 4.5 DIA x 12.5	1	\$36.99 ea
5	P563A	body, lint hog, new style	1	\$34.99 ea
6	G211	rubber feet, 1-1/8" bas diag, 1" height	4	\$3.99 ea
7	H289	washer, #10 flat, s/s	4	\$0.99 ea
8	H231	screw, 10-32 x 1" phil pan	4	\$0.99 ea
9	H123	Cuff- Lynx, 2.5" mpt x 2.5" female cuff	1	\$4.99 ea

ACCESSORIES NOT SHOWN

PART NO.	DESCRIPTION	QTY.	MSRP
H106	Cuff-Lynx, 2" hose x 2.5" female reducer	1	\$4.99 ea
H107	Cuff-Lynx, 2.5" hose x 2.5" f swivel	1	\$4.99 ea
H108	Cuff-Lynx, 2.5" hose x 2.5" male	1	\$4.99 ea



	NAME	DATE	MYTEE PRODUCTS, INC.		
DRAWN	M. LaBarbera	5/25/11	858-679-1191		
CHECKED			TITLE:		
<small>PROPRIETARY AND CONFIDENTIAL</small> <small>THE INFORMATION CONTAINED IN THIS DRAWING IS THE SOLE PROPERTY OF MYTEE PRODUCTS, INC. ANY REPRODUCTION IN PART OR AS A WHOLE WITHOUT THE WRITTEN PERMISSION OF MYTEE PRODUCTS, INC. IS PROHIBITED.</small>			2.5" lint hog		
			SIZE	DWG. NO.	REV
			C	F250	0D
			SCALE: 1:3	DO NOT SCALE DRAWING	SHEET 1 OF 1