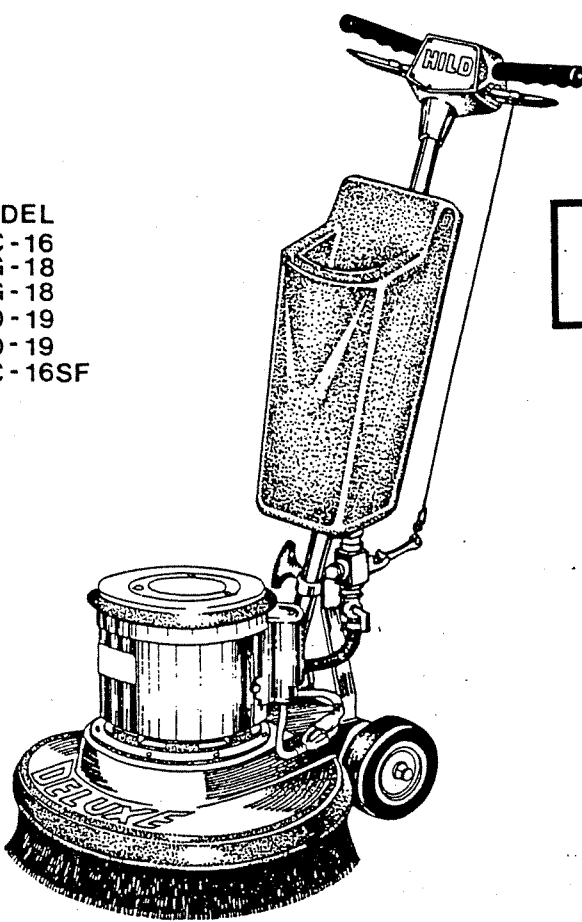


HILD®

Parts Booklet

MODEL
 UC-16
 UG-18
 G-18
 UD-19
 D-19
 UC-16SF



Deluxe Series



UL LISTED

Distributed by:

All illustrations and specifications in this brochure are based on current product information but HILD Floor Machine Company, Inc. reserves the right to make changes at any time in prices, colors, materials, equipment specifications and products and to discontinue any model without prior notice.

HILD

COMMITMENT TO EXCELLENCE

HILD FLOOR MACHINE COMPANY, INC.
 5339 West Lake Street
 Chicago, Illinois 60644-2497
 (312)379-8558 FAX # 312-379-1776

EXPORT DEPARTMENT
 5339 West Lake Street, Chicago, Illinois 60644-2497
 (312)379-8558 Cable: HILDFLOOR

CUSTOMER SERVICE & ORDER DEPARTMENT
 Customer Service — 312-261-1225
 Customer Order Department — 312-379-8558
 5339 West Lake Street, Chicago, Illinois 60644-2497

FACTORY BRANCH
 6474 Corvette Street
 City of Commerce, California 90040-1703

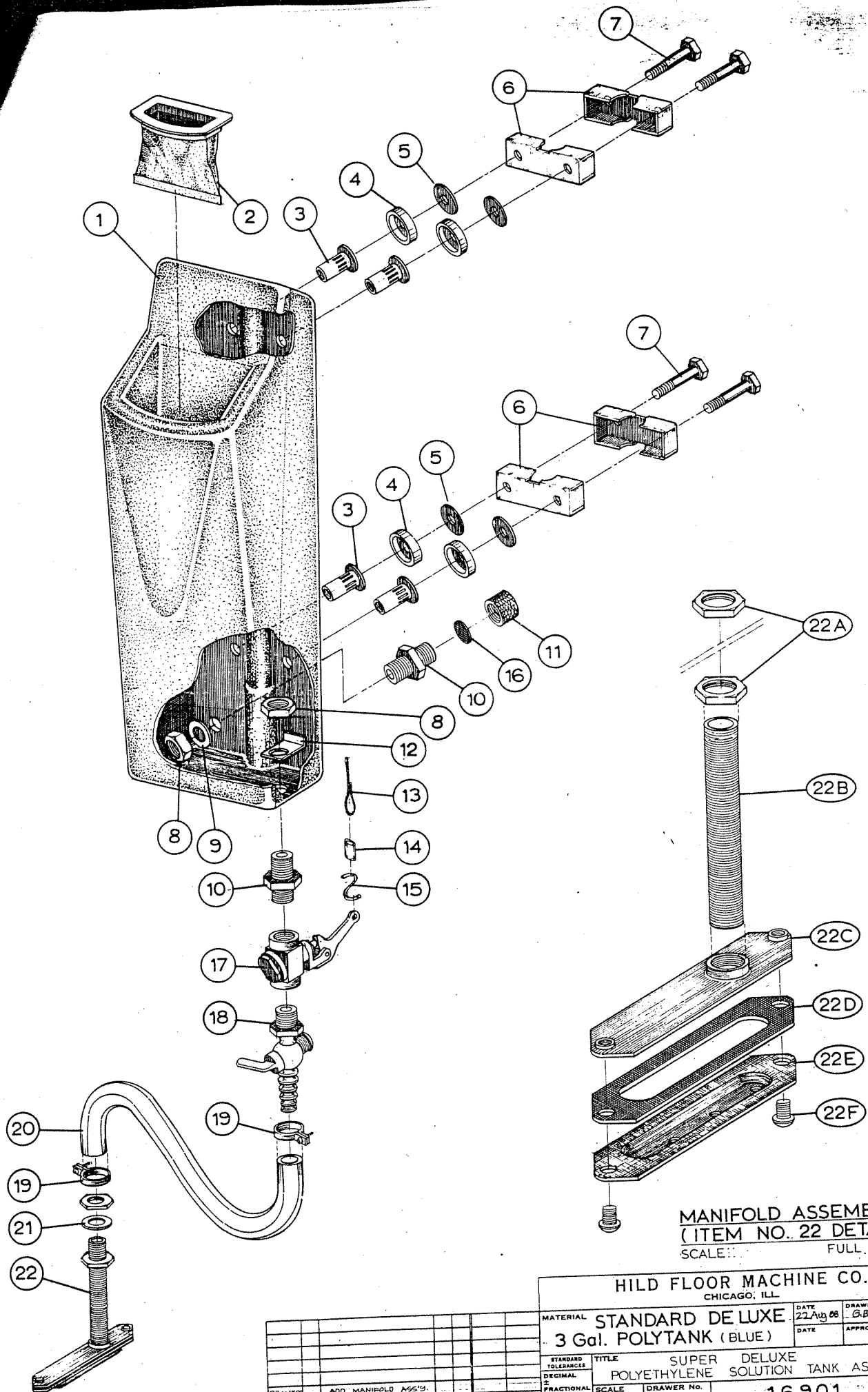
SUPER DELUXE
POLYETHYLENE SOLUTION TANK ASSEMBLY
 (Showerfeed Models)

| REF. | Code No. | Part No. | DESCRIPTION | QTY. |
|------|----------|-----------|-----------------------------------|------|
| 1 | 0169013 | 16901-C | SOLUTION TANK | 1 |
| 2 | 0169012 | 16901-16B | SCREEN ASSEMBLY | 1 |
| 3 | 0218502 | 2185-2 | RIVNUT 1/4x20 | 4 |
| 4 | 0169160 | 16916 | GASKET | 4 |
| 5 | 0209515 | 2095-15 | WASHER 17/64x9/8x18 | 4 |
| 6 | 0169182 | 16918-B | CLAMP BRACKET | 4 |
| 7 | 0205548 | 2055-48 | #1/4-20x2 1/4 HEX. HD CS | 4 |
| 8 | 0216022 | 2160-22 | #5/8-18 HEX NUT | 2 |
| 9 | 0109514 | 2095-14 | WASHER | 1 |
| 10 | 0169011 | 16901-14A | FLANGE-TANK | 2 |
| 11 | 0169251 | 16925-A1 | DRAIN CAP | 1 |
| 12 | 0169021 | 16902-A | SUPPORT PLATE | 1 |
| 13 | 0139891 | 13989-A | CABLE-SOLUTION VALVE | 1 |
| 14 | 0139410 | 13941 | BUSHING | 1 |
| 15 | 0139400 | 13940 | HOOK "S" TYPE | 1 |
| 16 | 0109252 | 16925-A2 | GASKET | 1 |
| 17 | 0139091 | 13909-A | WHISTLE VALVE | 1 |
| 18 | 0139110 | 13911 | SHUT-OFF COCK | 1 |
| 19 | 0228015 | 2280-15 | HOSE CLAMP | 2 |
| 20 | 0139140 | 13914 | HOSE | 1 |
| 21 | 0209505 | 2095-5 | WASHER | 1 |
| 22 | 0229210 | 22921 | MANIFOLD ASSEMBLY | 1 |
| -- | 100140 | 16923C-D | TANK W/CONVERSION FITTINGS (1-22) | - |

STANDARD DELUXE 3 GAL. BLUE POLY TANK

| | |
|-------------------------------|----------|
| TANK WITH CONVERSION FITTINGS | 16923C-D |
|-------------------------------|----------|

HILD®



MANIFOLD ASSEMBLY
(ITEM NO. 22 DETAIL)
SCALE: FULL SIZE

HILD FLOOR MACHINE CO.
CHICAGO, ILL.

| | | | | | |
|-------------------------------------|----------|------------------|----|------------|---------------|
| MATERIAL | | STANDARD DE LUXE | | DATE | DRAWN BY |
| 3 Gal. POLYTANK (BLUE) | | | | 22 Aug 68 | G.B. ARAGONES |
| TITLE | | SUPER DELUXE | | DATE | APPROVED BY |
| POLYETHYLENE SOLUTION TANK ASSEMBLY | | | | | |
| STANDARD TOLERANCES | DECIMAL | SCALE | | DRAWER No. | 16901 |
| FRACTIONAL | ANGULAR | 113 | | | |
| DATE | REVISION | DR | AP | MODEL | QNTY |
| 1978 | | | | | |