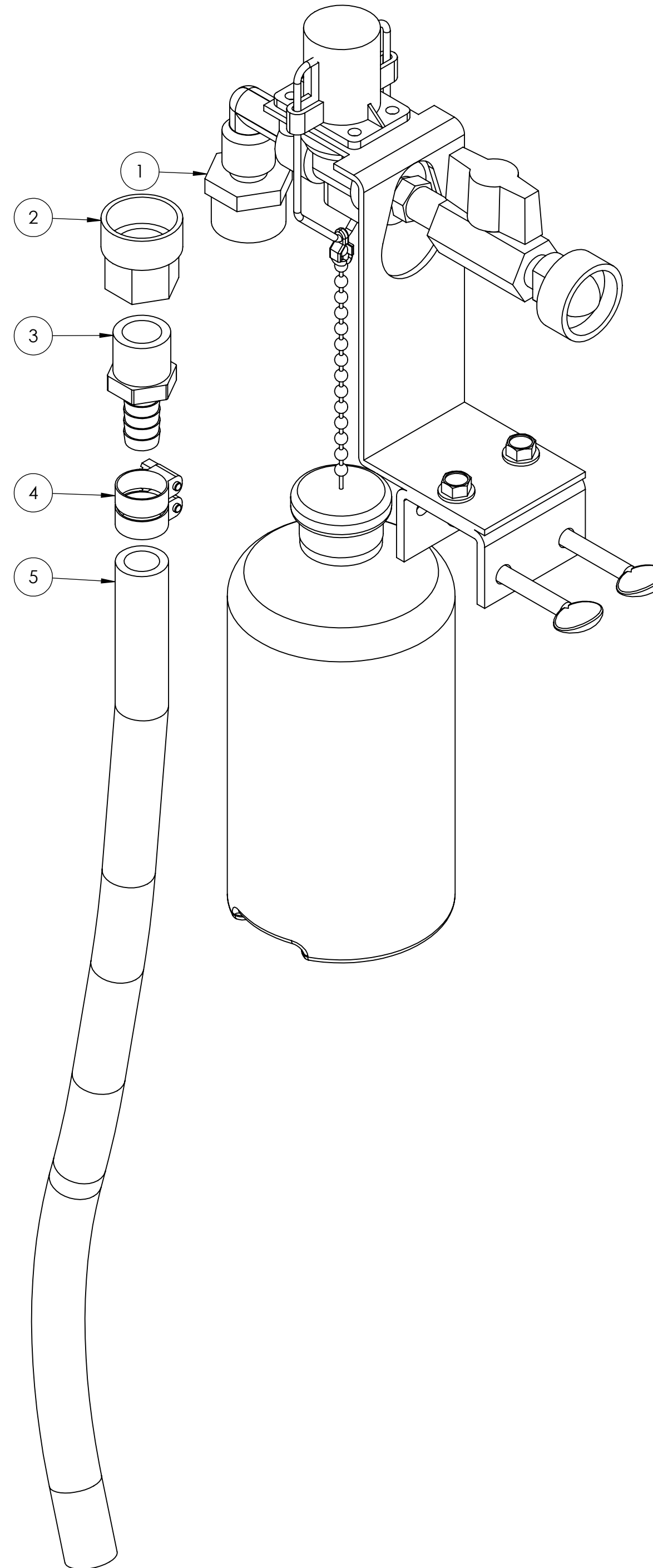
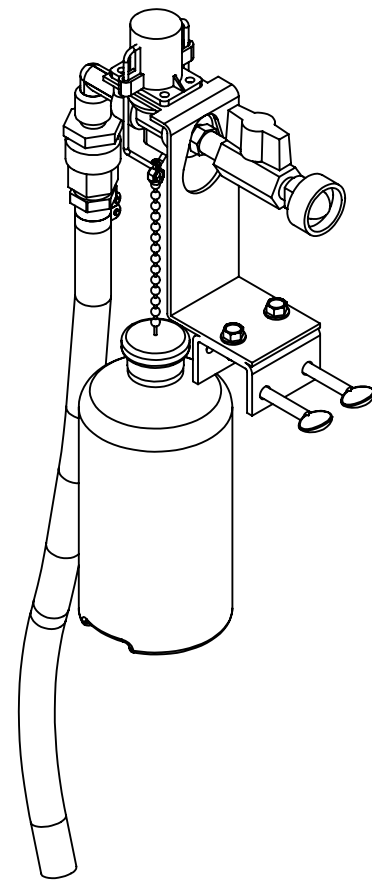


ITEM NO.	PART NO.	DESCRIPTION	QTY.	MSRP
1	H541	valve, float, autofill	1	\$124.99 ea
2	B642	swivel, brass, 3/4" fgh x 1/2" fpt	1	\$5.49 ea
3	B132	adapter, brass, 1/2" barb x 1/2" mpt	1	\$9.49 ea
4	H347	clamp, hose, 5/16-29/32	2	\$1.99 ea
5	PH615-15.5	sol hose, 1/2" kuri 100psi	1	\$8.99 ea



	NAME	DATE	MYTEE PRODUCTS, INC.			
DRAWN	J. Cash	6/2010	858-679-1191			
CHECKED			TITLE:			
PROPRIETARY AND CONFIDENTIAL THE INFORMATION CONTAINED IN THIS DRAWING IS THE SOLE PROPERTY OF MYTEE PRODUCTS, INC. ANY REPRODUCTION IN PART OR AS A WHOLE WITHOUT THE WRITTEN PERMISSION OF MYTEE PRODUCTS, INC. IS PROHIBITED.			Auto fill kit			
			SIZE	DWG. NO.	REV	
			C	AF-K	OD	
			SCALE: 1:10	DO NOT SCALE DRAWING	SHEET 1 OF 1	