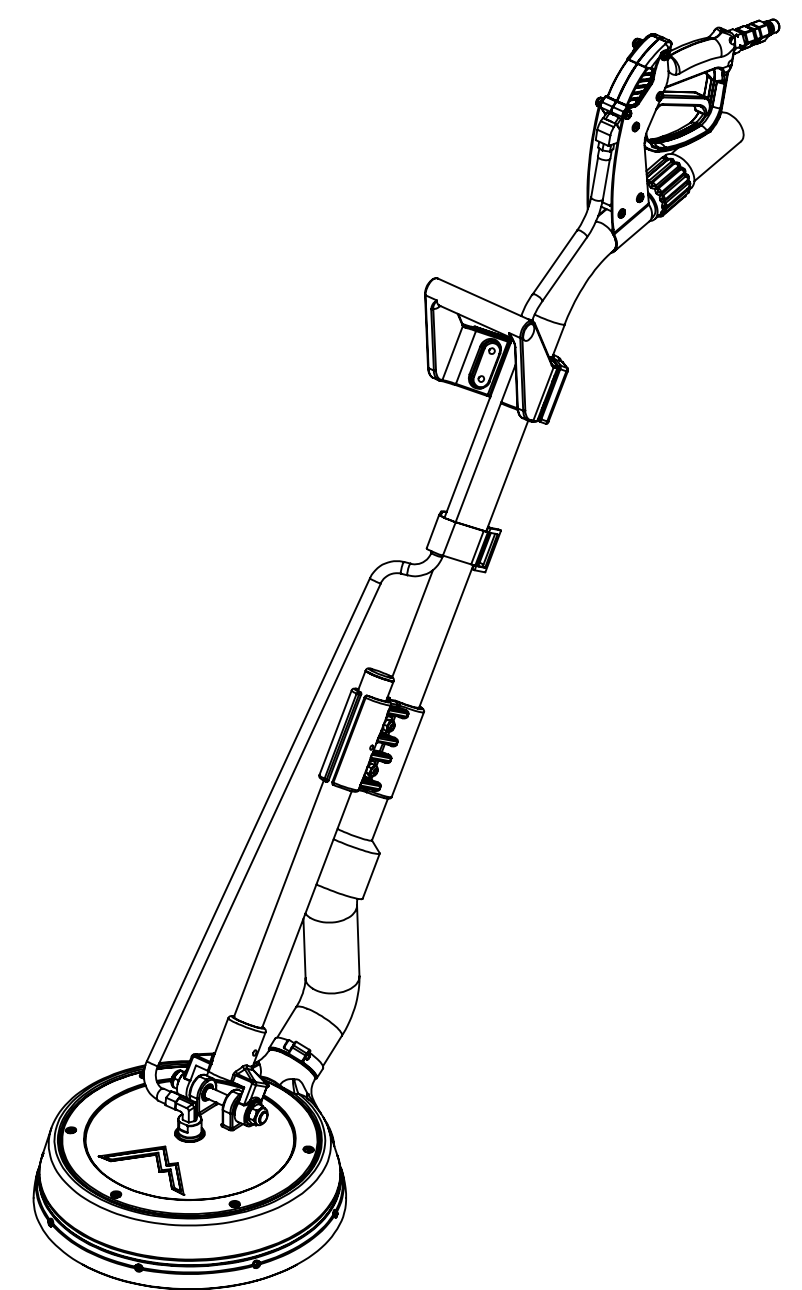
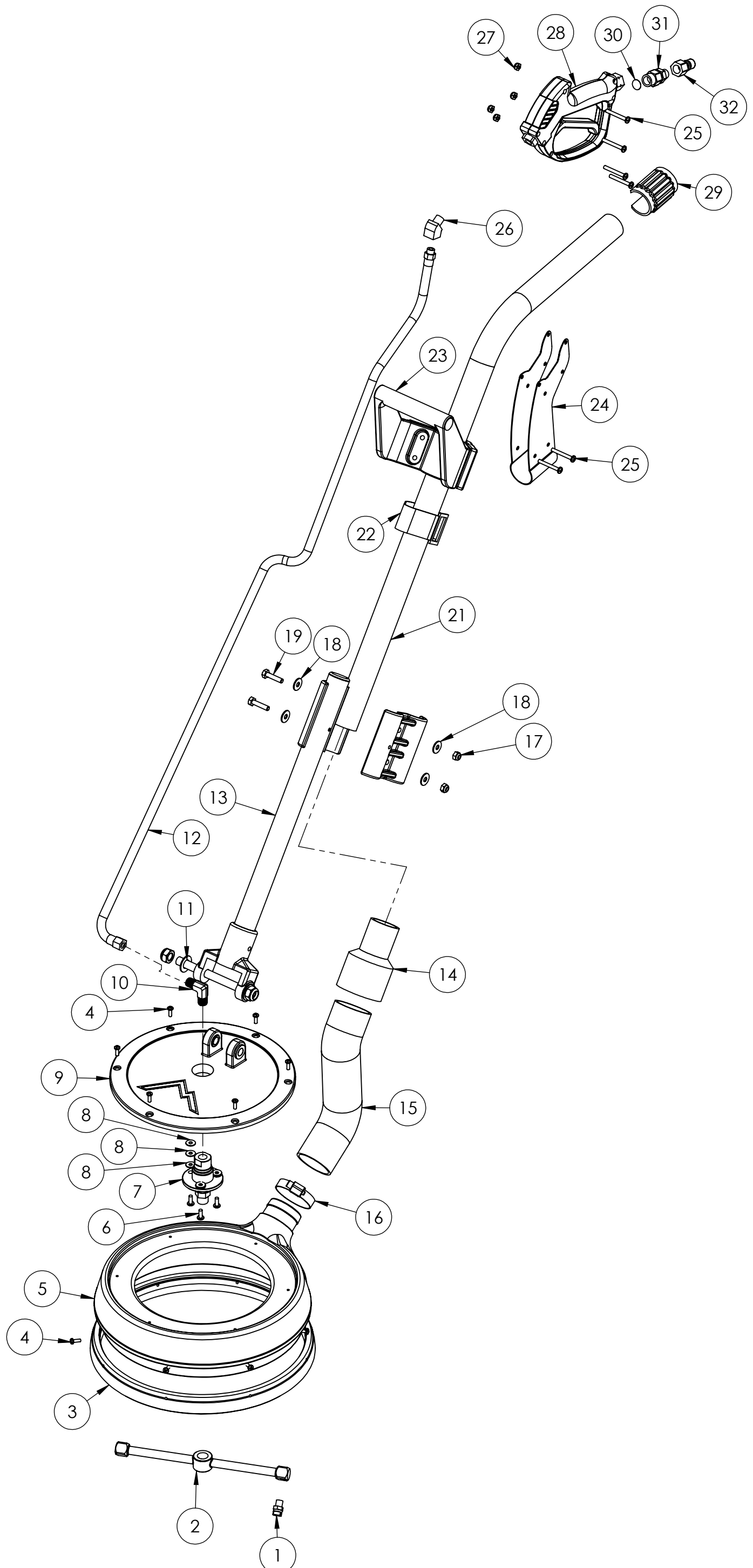


ITEM NO.	PART NO.	DESCRIPTION	QTY.	MSRP
1	H505	jet, s/s, 1/8", 1501	2	\$9.99 ea
2	H441	bar, t, straight, 42 deg, 10"	1	\$129.99 ea
3	G080	brush, spinner, 12"	1	\$34.99 ea
4	H882	screw, 8 x 3/4 phil pan head, type a, s/s	14	\$0.99 ea
5	P689A	manifold, spin 12", blue	1	\$51.99 ea
6	H230	screw, 10-32 x 1/2 phil pan	3	\$0.99 ea
7	H926	swivel, flange	1	\$198.99 ea
8	H289	washer, #10 flat, s/s	9	\$0.99 ea
9	H465A	casting, 12" low profile spinner	1	\$84.99 ea
10	B136	elbow, brass, 90 deg, 1/4" mpt x 1/4" mpt	1	\$4.99 ea
11	H475	rod, threaded, 4.65 x 1/2"	1	\$5.99 ea
12	AH206	sol hose, black 48" (OAL), fsw 1/4" x m 1/4"	1	\$21.99 ea
13	H616B	tube, 1.25" spinner, lower handle, w/ yolk	1	\$42.99 ea
14	H498A	cuff, 2" thread x 1-1/2" slip	1	\$14.99 ea
15	PH628-24	hose, vac wire reinforced 2"	1	\$8.99/ft
16	H217	clamp, hose, 2-1/4 dia	1	\$1.49 ea
17	H216	nut, lock, 1/4-20 nylon insert	2	\$0.99 ea
18	H210	washer, 1/4" flat, s/s	4	\$0.99 ea
19	H203	bolt, 1/4-20 x 1-1/4" hex head, s/s	2	\$0.99 ea
20	H613A	clamp, spinner handle, 1.5" x 1.25"	2	\$11.99 ea
21	H616	tube, 1.5" spinner, upper handle	1	\$81.99 ea
22	G147	strap, velcro 1.5" x 12"	1	\$3.49 ea
23	H785	grip, 1.5" dia, wand	1	\$7.99 ea
24	H614A	clamp, angled valve, 1.5" tube	1	\$16.99 ea
25	H457	screw, 10-32 x 1-1/2", p-pan	6	\$0.99 ea
26	B130	45 deg, street elbow, brass, 1/4" male NPTF	1	\$5.49 ea
27	H458	nut, lock, 10-32, thin pattern	6	\$0.99 ea
28	H540	gun, high pressure, (batt spray/ counter)	1	\$41.99 ea
29	G082	sleeve, vac relief, 1.5", spin	1	\$3.25 ea
30	H461	filter, mesh screen 3/8"	1	\$0.99 ea
31	H462	housing, filter, 2 pc	1	\$2.99 ea
32	B101	qd, brass, 1/4" m	1	\$8.49 ea



NAME		DATE	MYTEE PRODUCTS, INC.	
DRAWN	M. LaBarbera	8/22/11	858-679-1191	
CHECKED			TITLE: Spinner, Wand Style, 1.5"	
PROPRIETARY AND CONFIDENTIAL			SIZE DWG. NO.	REV
THE INFORMATION CONTAINED IN THIS DRAWING IS THE SOLE PROPERTY OF MYTEE PRODUCTS, INC. ANY REPRODUCTION IN PART OR AS A WHOLE WITHOUT THE WRITTEN PERMISSION OF MYTEE PRODUCTS, INC. IS PROHIBITED.			C 8903	OD
SCALE: 1:6		DO NOT SCALE DRAWING	SHEET 1 OF 1	