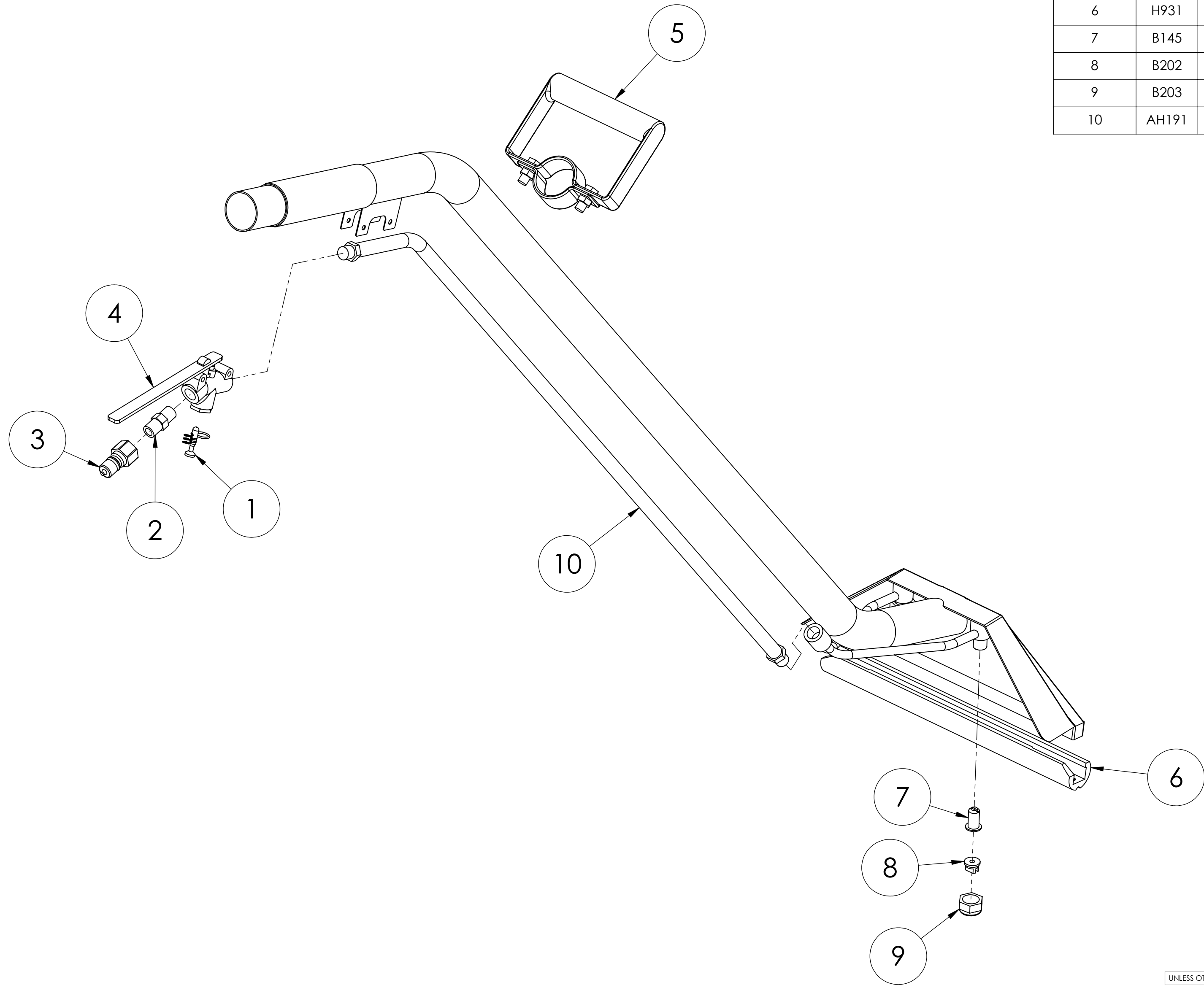


ITEM NO.	PART NO.	DESCRIPTION	QTY.	MSRP
1	B150A	repair kit, k valve for B133-A	1	\$8.99 ea
2	B107	nipple, brass, 1/4"m, hex	1	\$3.19 ea
3	B101	qd, brass, 1/4" m	1	\$8.49 ea
4	B133A	valve, brass, K, w/ trigger for wands	1	\$30.99 ea
5	H399	grip, wand 1.5" w/fasteners	1	\$23.99 ea
6	H931	glider, 12"	1	\$65.99 ea
7	B145	check filter, jet, wand	2	\$8.99 ea
8	B202	jet, 110015, dual jet wand	2	\$6.99 ea
9	B203	retainer, jet, dual jet wand	2	\$8.49 ea
10	AH191	hose, 43" male fittings for dual jet wands	1	\$28.99 ea



UNLESS OTHERWISE SPECIFIED:		NAME	DATE	MYTEE PRODUCTS, INC.	
DIMENSIONS ARE IN INCHES		DRAWN	V. LABARBERA	4/2/07	858-679-1191
TOLERANCES:		CHECKED		TITLE:	
ANGULAR: MACH ±.5°		ENG APPR.		wand, 12", dual jet,	
ONE PLACE DECIMAL ±.1		COMMENTS:		"S" bend, high	
TWO PLACE DECIMAL ±.03				pressure hose	
THREE PLACE DECIMAL ±.005				SIZE	DWG. NO.
				C	8300
				REV	OD
				SCALE: 1:3	DO NOT SCALE DRAWING
				USED ON:	SHEET 1 OF 1

PROPRIETARY AND CONFIDENTIAL
 THE INFORMATION CONTAINED IN THIS DRAWING IS THE SOLE PROPERTY OF MYTEE PRODUCTS, INC. ANY REPRODUCTION IN PART OR AS A WHOLE WITHOUT THE WRITTEN PERMISSION OF MYTEE PRODUCTS, INC. IS PROHIBITED.

