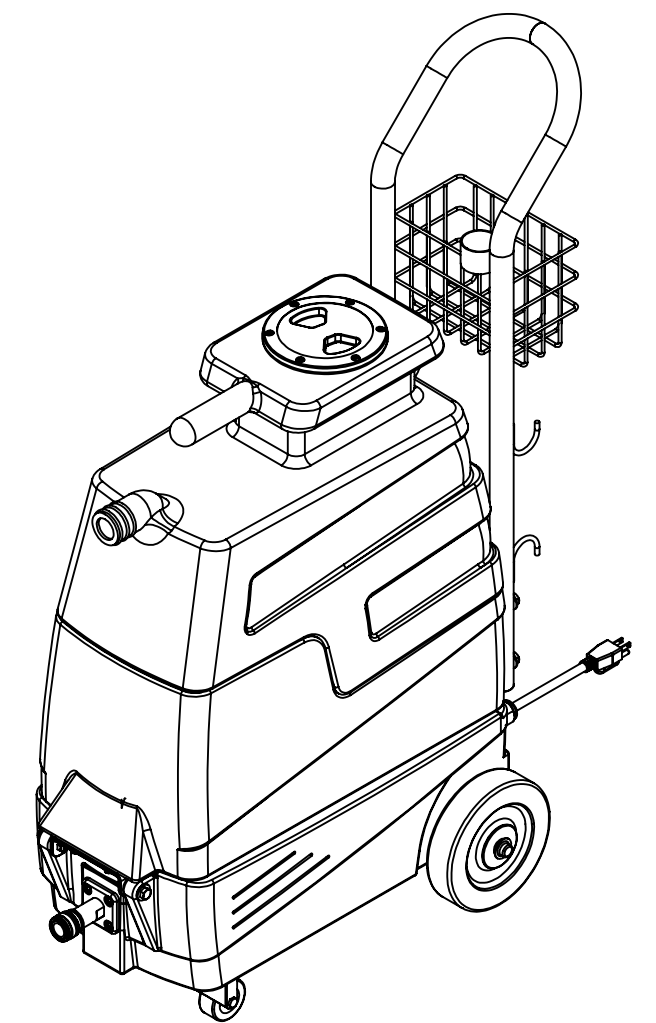


| ITEM NO. | PART NO. | DESCRIPTION | QTY. | MSRP |
|----------|----------|---|------|-------------|
| 1 | B102 | qd, brass, 1/4" f | 1 | \$17.99 ea |
| 2 | H256 | screw, #10-32 x 3/4" phil pan head, zinc | 6 | \$0.99 ea |
| 3 | H484 | plate, mounting, QD | 1 | \$4.99 ea |
| 4 | H212 | washer, 9/16" id x 1" od, flat, s/s | 3 | \$0.99 ea |
| 5 | B107 | nipple, brass, 1/4" m, hex | 2 | \$3.19 ea |
| 6 | H273 | nut, kep, #10-32 zinc | 17 | \$0.99 ea |
| 7 | H230 | screw, 10-32 x 1/2 phil pan | 10 | \$0.99 ea |
| 8 | H681 | caster, 2" | 2 | \$8.99 ea |
| 9 | H343 | screw, #10 x 5/8" hex head zinc | 12 | \$0.99 ea |
| 10 | H296 | guard, cooling fan, wire | 2 | \$2.99 ea |
| 11 | H219 | cap, axle, 1/2" | 2 | \$0.99 ea |
| 12 | H279 | wheel, 6" | 2 | \$25.99 ea |
| 13 | H254 | washer, axle, cut 1/2" id | 4 | \$0.99 ea |
| 14 | H228 | axle, 13.25" x .50", MLII | 1 | \$9.99 ea |
| 15 | H221 | nut, lock, 1/2" steel | 1 | \$1.99 ea |
| 16 | H220 | fitting, strain relief, cord | 1 | \$3.19 ea |
| 17 | E532 | power cord, end, 25', 14/3 | 1 | \$44.99 ea |
| 18 | H389 | screw, #10-32 x 1/2" SHCS, alloy | 1 | \$0.99 ea |
| 19 | H612 | washer, #8 flat, s/s | 1 | \$0.99 ea |
| 20 | E515 | switch, rocker, 2 position | 3 | \$13.99 ea |
| 21 | H636 | plate, switch, ml/trkr, 3 hole | 1 | \$6.99 ea |
| 22 | H770 | bolt, 1/4-20 x 1/2" serrated hex flange, zinc | 1 | \$0.99 ea |
| 23 | H904 | bracket, L, MLII/tracker | 1 | \$21.99 ea |
| 24 | H210 | washer, 1/4" flat, s/s | 16 | \$0.99 ea |
| 25 | P788 | base, mytee lite II | 1 | \$76.99 ea |
| 26 | B105 | bushing, brass, 3/8" mpt x 1/4" | 2 | \$3.19 ea |
| 27 | B152 | elbow, brass, 90 deg, 1/4" barb x 1/4" mpt | 1 | \$5.49 ea |
| 28 | PH634-14 | sol hose, 1/4" kuri 150psi | 1 | \$6.49/Ft |
| 29 | B110 | adapter, brass, 1/4" sw barb x 1/4" fpt, w/gasket | 1 | \$3.99 ea |
| 30 | H222 | screw, #10-32 x 1-1/4" phil pan head, zinc | 3 | \$0.99 ea |
| 31 | C305 | pump, 120psi, demand, 115V | 1 | \$151.99 ea |
| 32 | B136 | elbow, brass, 90 deg, 1/4" mpt x 1/4" mpt | 2 | \$4.99 ea |
| 33 | AH103 | hose, 3/8" x 10', (OAL), f x fsw, surge, 1600psi | 1 | \$30.49 ea |
| 34 | B130 | 45 deg, street elbow, brass, 1/4" male NPTF | 1 | \$5.49 ea |
| 35 | AH157 | hose, 3/8" x 9' (OAL), f x fsw | 1 | \$25.99 ea |
| 36 | H347 | clamp, hose, 5/16-29/32 | 3 | \$1.99 ea |
| 37 | B108 | valve, brass, 1/4" check | 1 | \$13.99 ea |
| 38 | B207 | elbow, brass, 90 deg, 1/4" fpt x 1/4" fpt | 2 | \$5.99 ea |
| 39 | E519 | heating rod, 1000W, 115V | 1 | \$51.99 ea |
| 40 | E573 | Thermostat, 200°, Auto, 1/4" | 1 | \$16.49 ea |
| 41 | H274 | phil pan head screw zinc, 6-32 x 3/16" | 1 | \$0.99 ea |
| 42 | E574 | Thermostat, 310°F ± 10°F, Manual, 1/4" | 1 | \$17.99 ea |
| 43 | H903A | heater, aluminum cast, single | 1 | \$78.99 ea |
| 44 | P787 | sol tank, mytee lite II | 1 | \$78.99 ea |
| 45 | G021 | screen, mesh filter, 2-3/8" dia | 1 | \$4.99 ea |
| 46 | G075 | gasket, vacuum, ml II | 1 | \$7.99 ea |
| 47 | H688 | handle, MLII w/basket | 1 | \$61.99 ea |
| 48 | H203 | bolt, 1/4-20 x 1-1/4" hex head | 2 | \$0.99 ea |
| 49 | H316 | bolt, 1/4-20 x 1-1/2" hex head, s/s | 4 | \$0.99 ea |
| 50 | H213 | washer, 1/4" lock, s/s | 6 | \$0.99 ea |
| 51 | H423 | plug, 7/8", black, heyco | 2 | \$0.99 ea |
| 52 | H201 | bolt, 1/4-20 x 1/2", hex head, zinc | 2 | \$0.99 ea |
| 53 | H379 | bracket, front, kodiak | 1 | \$3.99 ea |
| 54 | H216 | nut, lock, 1/4-20 nylon insert | 2 | \$0.99 ea |

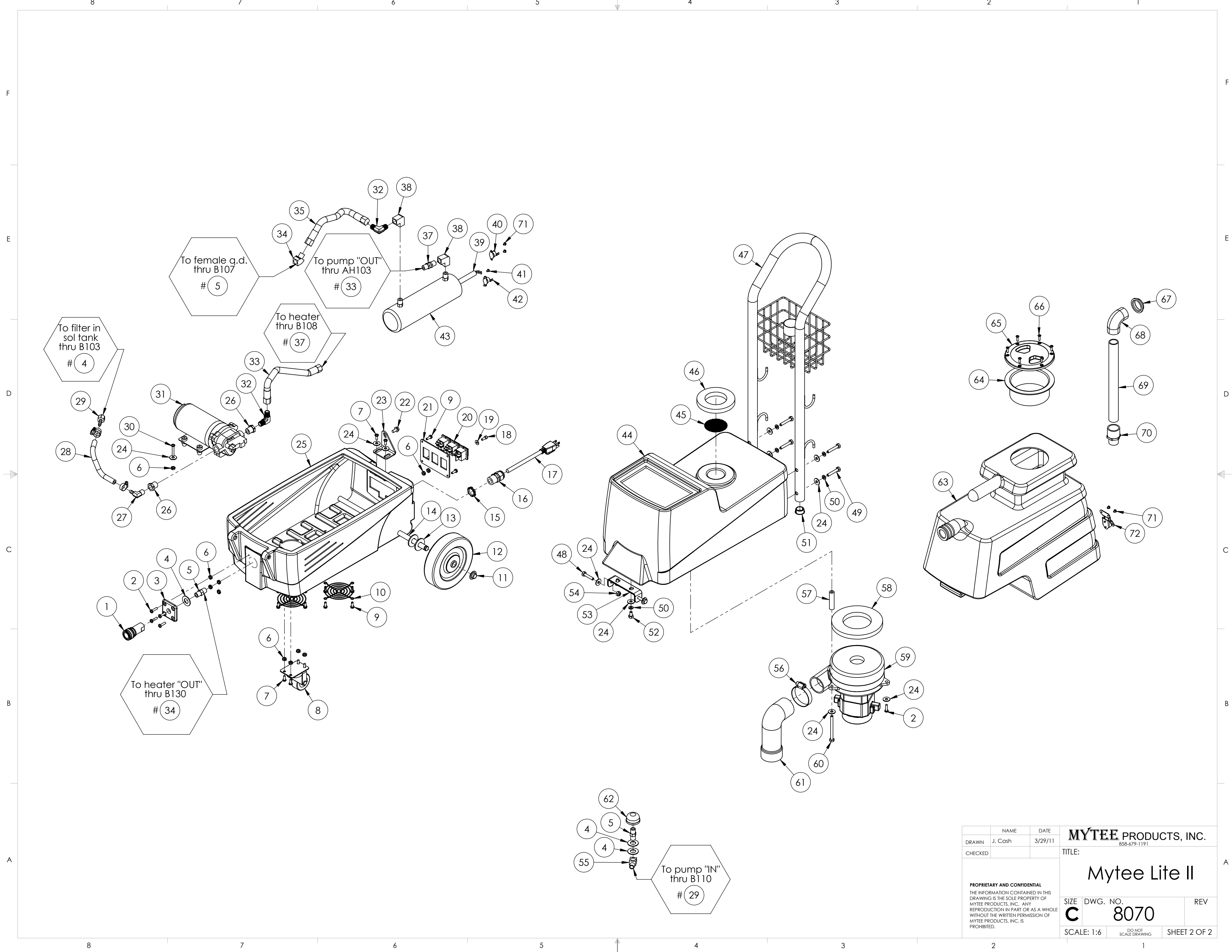
| ITEM NO. | PART NO. | DESCRIPTION | QTY. | MSRP |
|----------|----------|---|------|------------|
| 55 | B103 | elbow, brass, 90 deg, 1/4" mpt x 1/4" fpt | 1 | \$4.49 ea |
| 56 | H217 | clamp, hose, 2-1/4 dia | 1 | \$1.49 ea |
| 57 | PH634-2 | sol hose, 1/4" kuri 150psi | 1 | \$6.49/Ft |
| 58 | G004 | gasket, vacuum motor | 1 | \$8.99 ea |
| 59 | C301 | vac motor, 2 stage, 115V, tangential | 1 | \$91.49 ea |
| 60 | H288 | bolt, 1/4-20 x 3" | 1 | \$0.99 ea |
| 61 | G059 | exhaust boot, plastisol | 1 | \$4.99 ea |
| 62 | B119 | filter, strainer, 1/4" | 1 | \$3.99 ea |
| 63 | P789 | vac tank, mytee lite II | 1 | \$68.99 ea |
| 64 | G058 | vac tank deflector | 1 | \$8.99 ea |
| 65 | G030 | lid, vac tank, 3.5", clear | 1 | \$13.99 ea |
| 66 | H304 | screw, #8 x 5/8 phil oval, s/s | 6 | \$0.99 ea |
| 67 | H664 | filter strainer, spotter | 1 | \$6.49 ea |
| 68 | H645 | pvc, 90, 3/4" | 1 | \$0.99 ea |
| 69 | PH610-12 | pipe, pvc, 3/4" | 1 | \$0.99/Ft |
| 70 | H644 | adapter, pvc, 3/4" | 1 | \$0.99 ea |
| 71 | H275 | 6-32 x 3/16 p-pan internal sem zinc | 8 | \$0.99 ea |
| 72 | H906 | latch, front, ML II lock (Need H906A) | 1 | \$18.99 ea |

Items not shown

| PART NO. | DESCRIPTION | QTY. | MSRP |
|---------------|--|------|------------|
| B101 | quick disconnect, 1/4" male x 1/4" fpt | 2 | \$8.49 ea |
| B102 | quick disconnect, 1/4" female x 1/4" fpt | 1 | \$17.49 ea |
| A942 | sol hose, 1/4" x 16' 1", 3000 max psi | 1 | \$71.99 ea |
| G147 | strap, velcro, w/buckle | 6 | \$3.19 ea |
| A935 | sol hose, pigtail, 1/8 x 7 1/2 | 1 | \$14.99 ea |
| H701 | hose, vac, 15' x 1-1/4" w/ 1 1/2 black cuffs | 1 | \$43.19 ea |
| H282 | tool, upholstery w/ valve | 1 | \$98.99 ea |
| G011 | grip, foam, black, 7" length | 1 | \$3.99 ea |
| A942 | sol hose, 1/47" x 16' 1", 3000psi | 1 | \$71.99 ea |
| ADM-CUFF-LYNX | instruction guide cuff-lynx | 1 | |
| AD127 | stop sign, register your product | 1 | |
| ADM-8070 | manual, mytee lite | 1 | |



| | | | |
|---|---------|---|----------------------|
| NAME | DATE | MYTEE PRODUCTS, INC. 858-679-1191 | |
| DRAWN J. Cash | 3/29/11 | TITLE: | |
| CHECKED | | Mytee Lite II | |
| <small>PROPRIETARY AND CONFIDENTIAL THE INFORMATION CONTAINED IN THIS DRAWING IS THE SOLE PROPERTY OF MYTEE PRODUCTS, INC. ANY REPRODUCTION IN PART OR AS A WHOLE WITHOUT THE WRITTEN PERMISSION OF MYTEE PRODUCTS, INC. IS PROHIBITED.</small> | | SIZE | DWG. NO. |
| | | C | 8070 |
| | | SCALE: 1:8 | DO NOT SCALE DRAWING |
| | | REV | SHEET 1 OF 2 |



| | | | | |
|---|---------|---------|---|--------------|
| | NAME | DATE | MYTEE PRODUCTS, INC. 858-679-1191 | |
| DRAWN | J. Cash | 3/29/11 | TITLE: | |
| CHECKED | | | Mytee Lite II | |
| <small>PROPRIETARY AND CONFIDENTIAL THE INFORMATION CONTAINED IN THIS DRAWING IS THE SOLE PROPERTY OF MYTEE PRODUCTS, INC. ANY REPRODUCTION IN PART OR AS A WHOLE WITHOUT THE WRITTEN PERMISSION OF MYTEE PRODUCTS, INC. IS PROHIBITED.</small> | | | SIZE | REV |
| | | | C | |
| | | | DWG. NO. | |
| | | | 8070 | |
| SCALE: 1:6 | | | DO NOT SCALE DRAWING | SHEET 2 OF 2 |