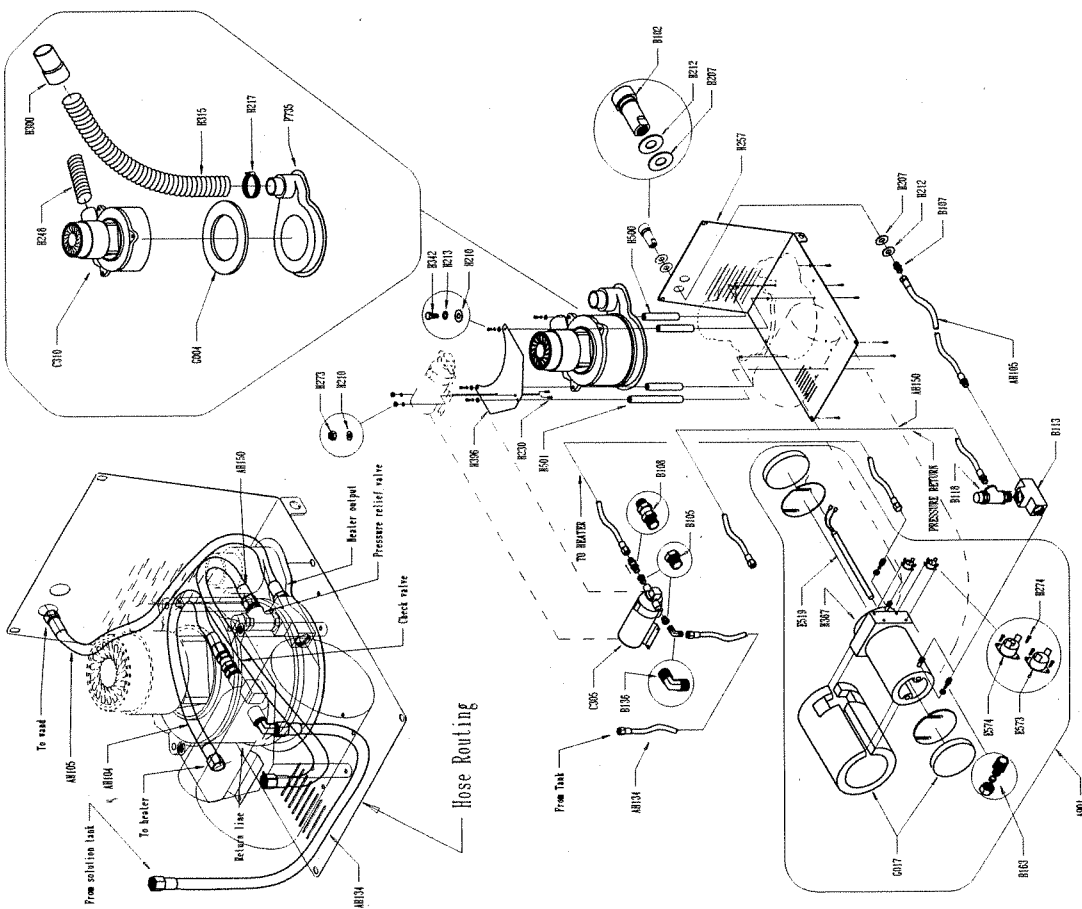
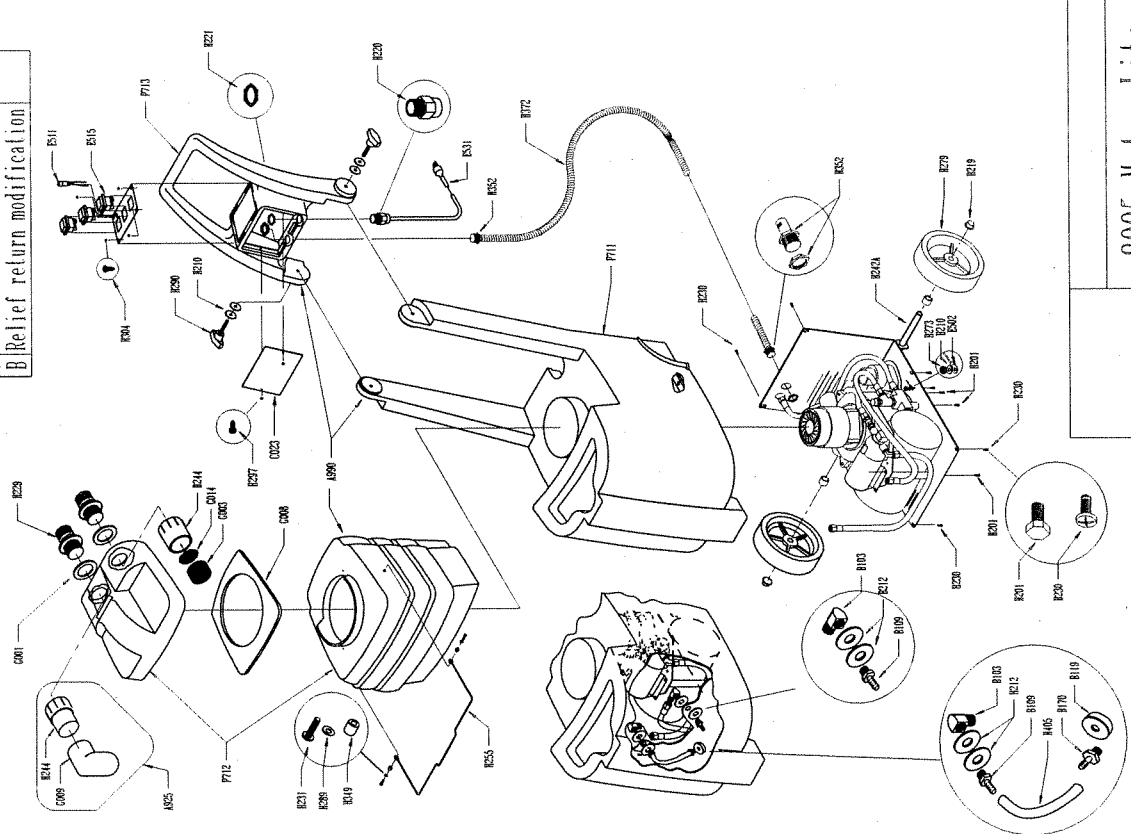


REVISIONS
 REC'D
 DATE
 BY
 APPROVED

B Relief return modification

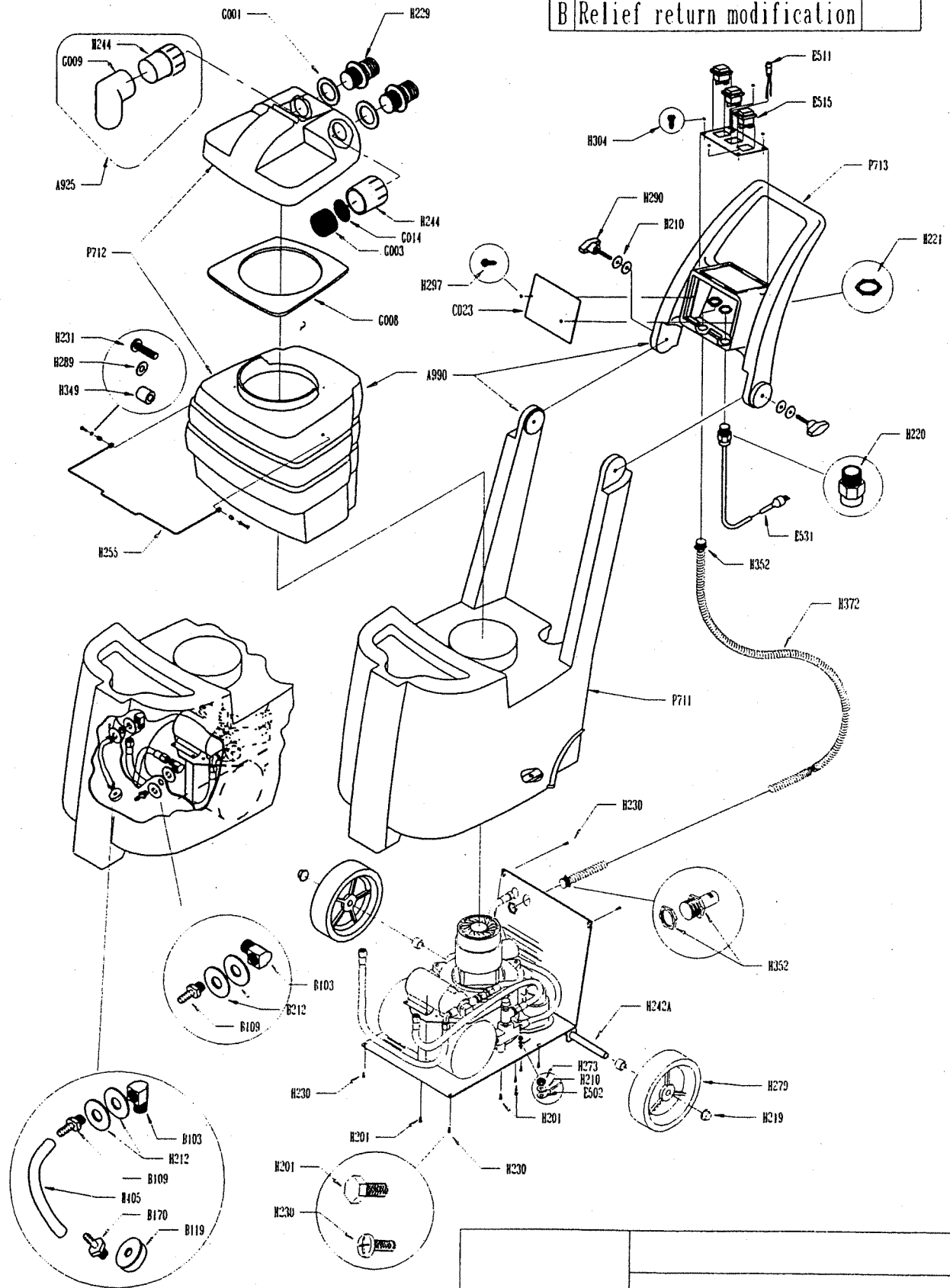
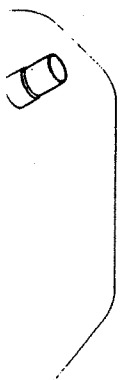


Hose Routing

8005 Mytee Lite

FILE NO.	DATE	BY
13 Sept. 00		
SCALE		USE

REVISIONS		DATE	APPROVED
REV	DESCRIPTION		
B	Relief return modification		

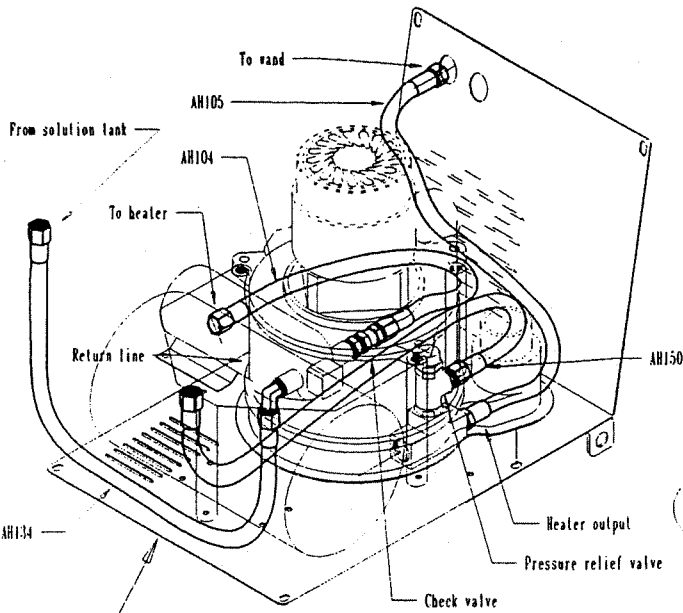


B102

12
7

8005 Mytee Lite

SIZE		FSC# NO.		DWG NO.		REV	
SCALE						B	
13 Sept 00				SHEET			



Hose Routing

