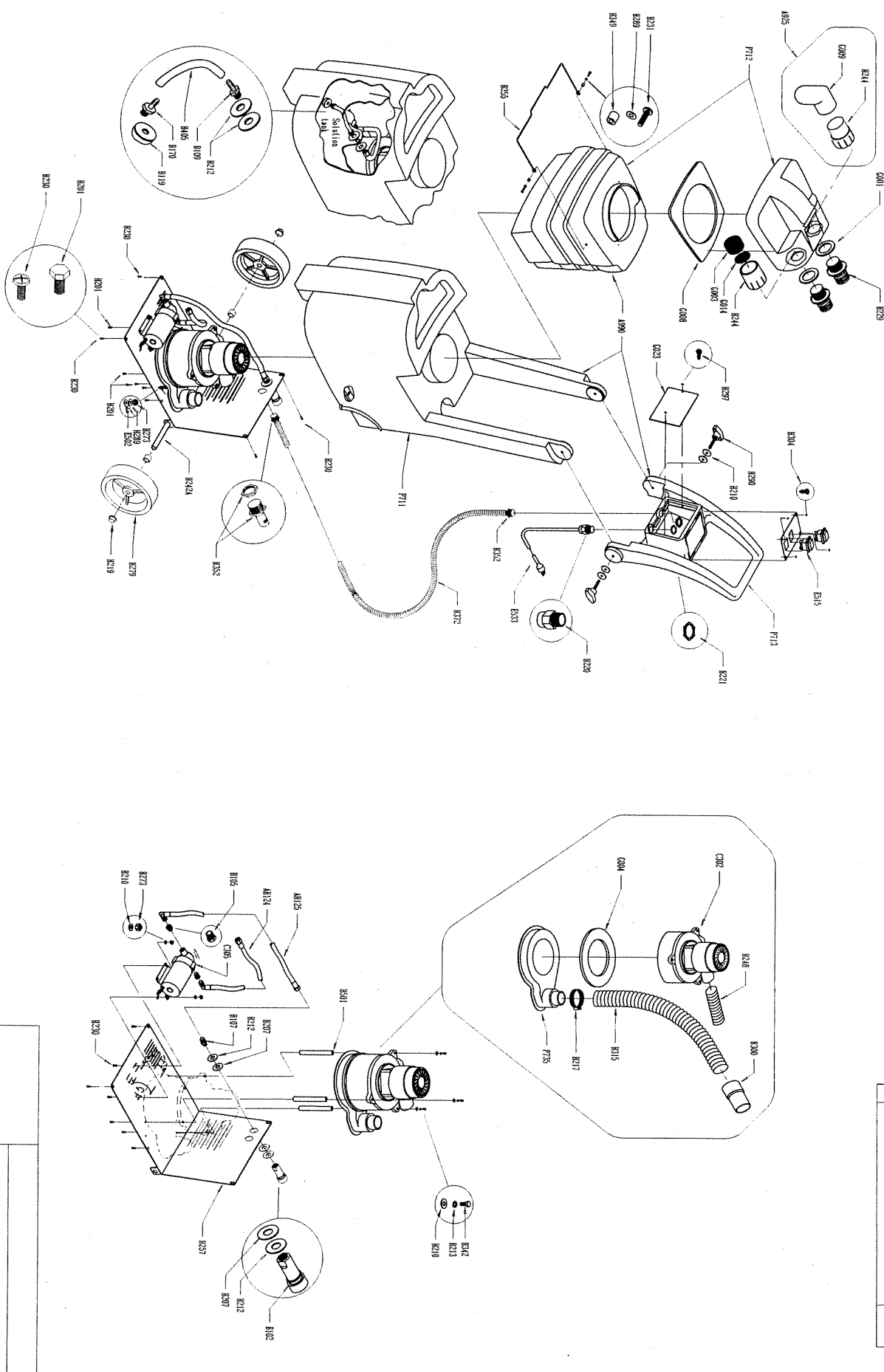


REV	DESCRIPTION	DATE	APPROVED



12 Sept 00

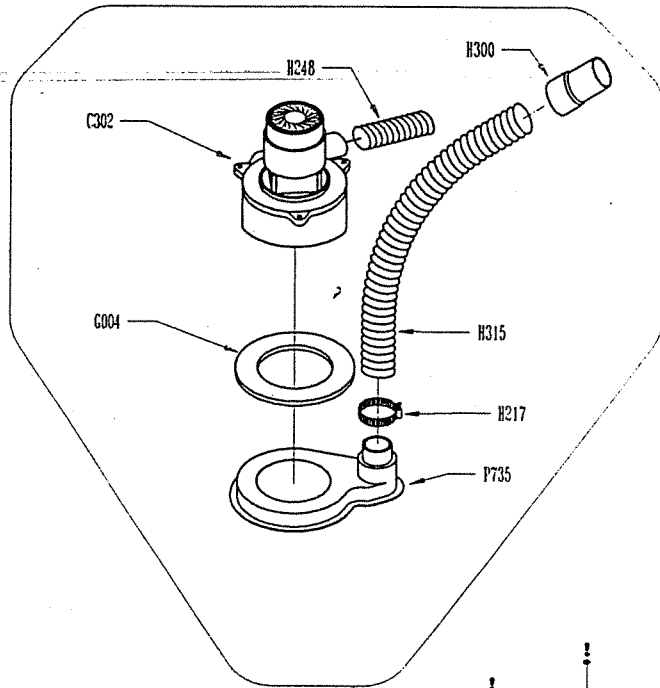
8003 MYTEE LITE

SIZE: 1/8" X 1/2" X 1/4"

REV: A

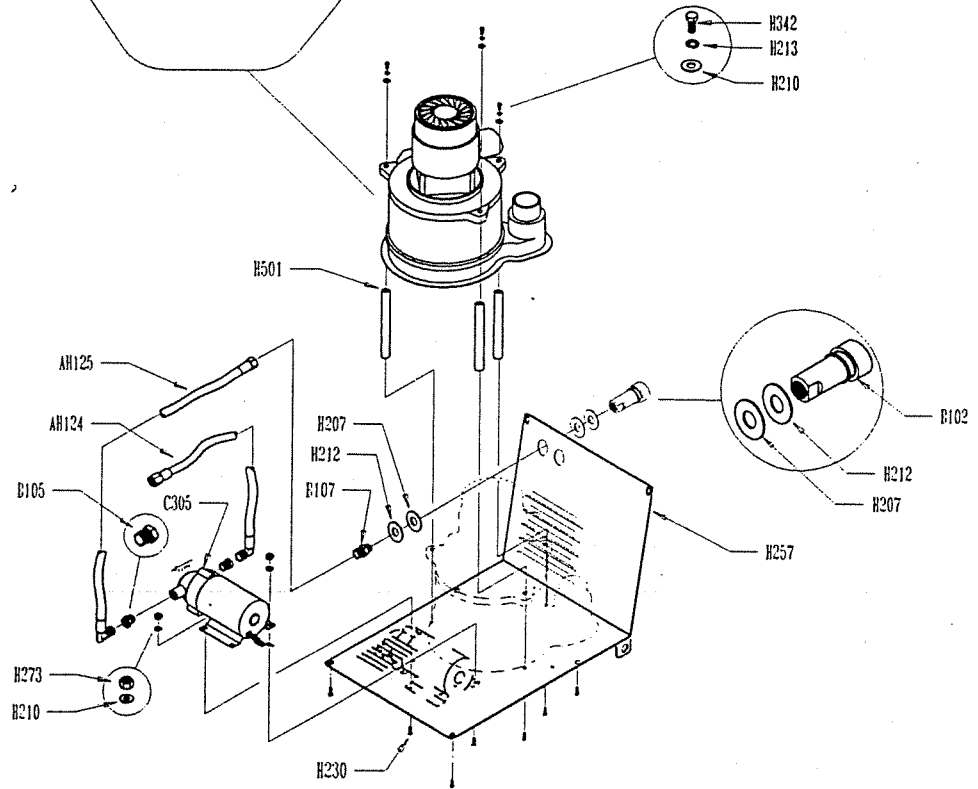
DATE: 12 Sept 00

SHEET: 1



H221

30



8003 MYTEE LITE				
	SIZE	FSCW NO.	DWC NO.	REV A
12 Sept 00	SCALE		SHEET	

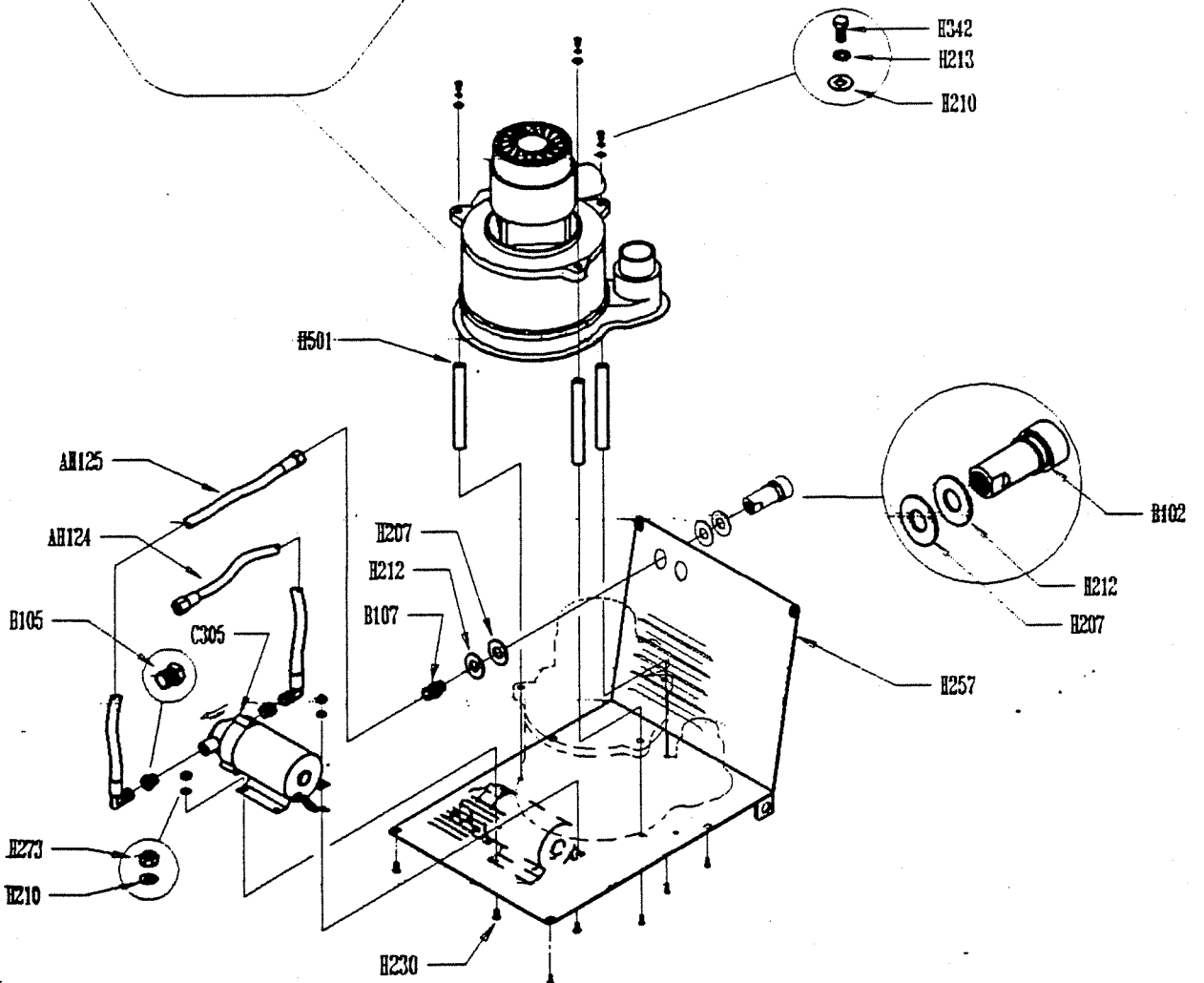
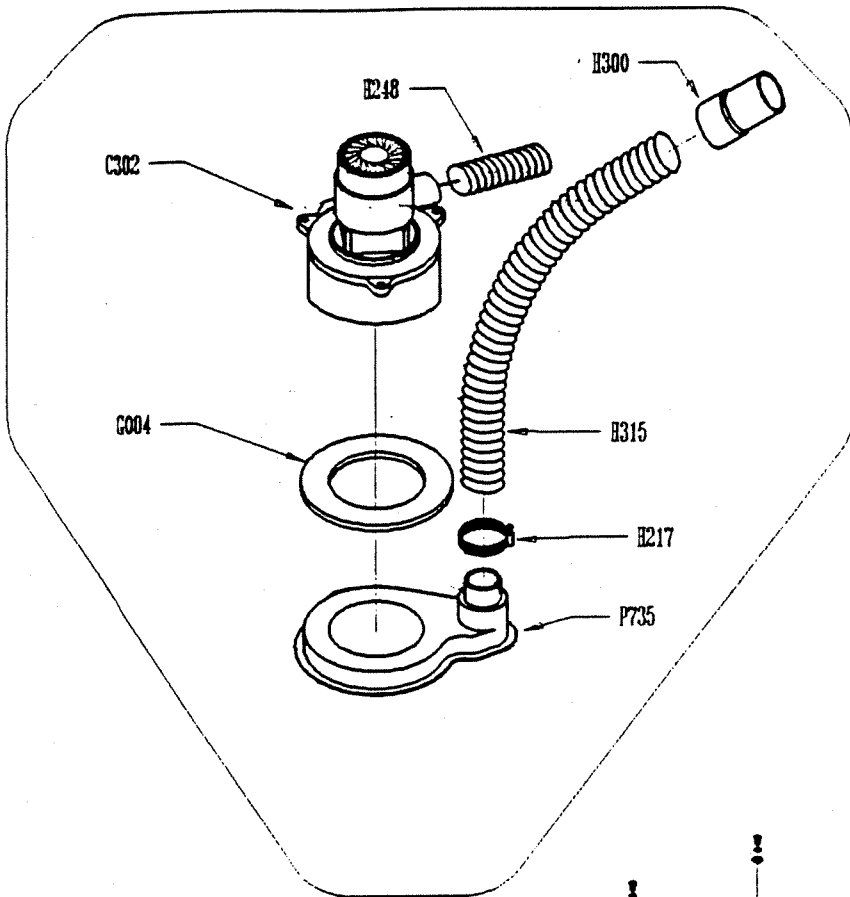
4

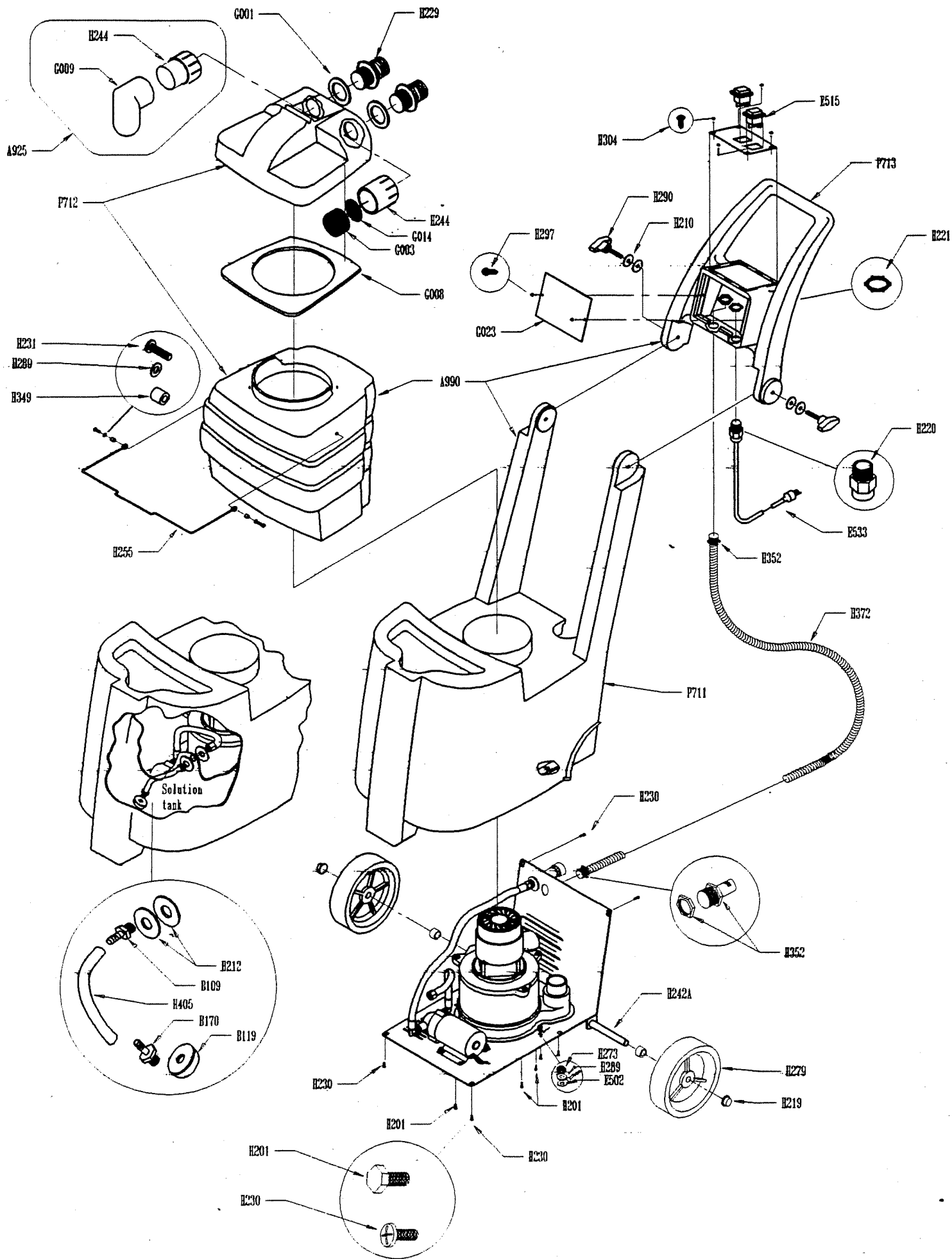
3

2

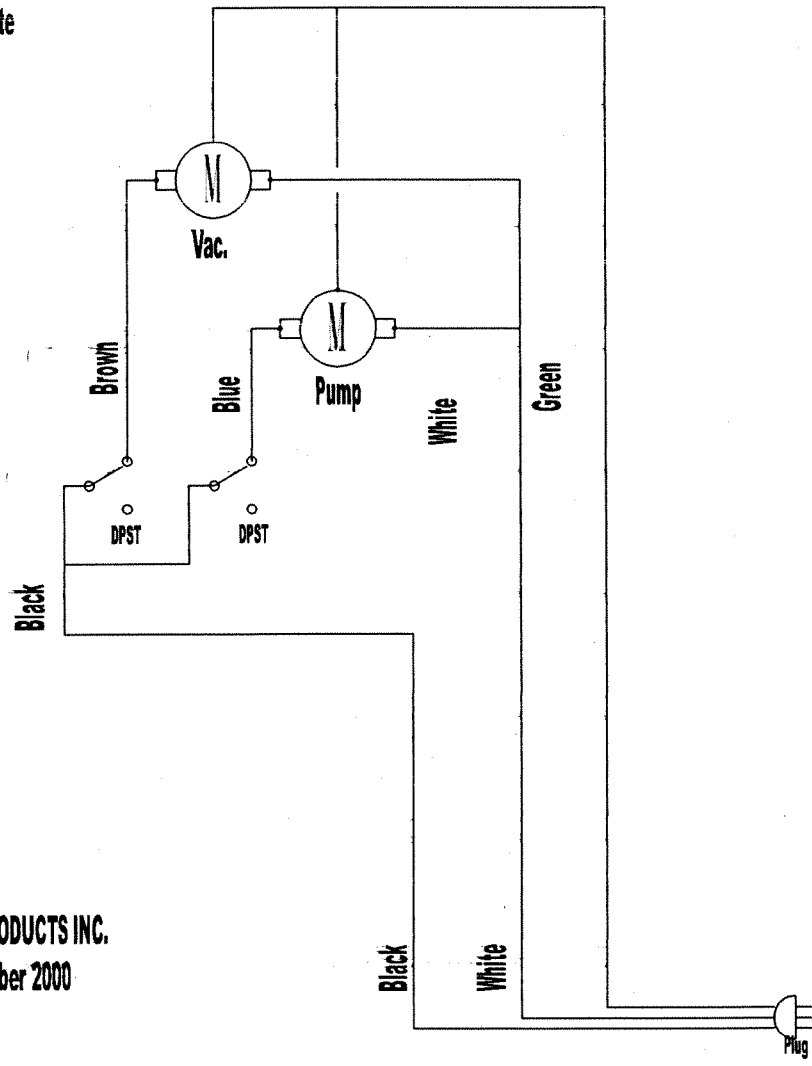
A

8003 MYTEE LITE





**Wiring Schematic
Model 8003
Mytee Lite**



**MYTEE PRODUCTS INC.
22 September 2000**