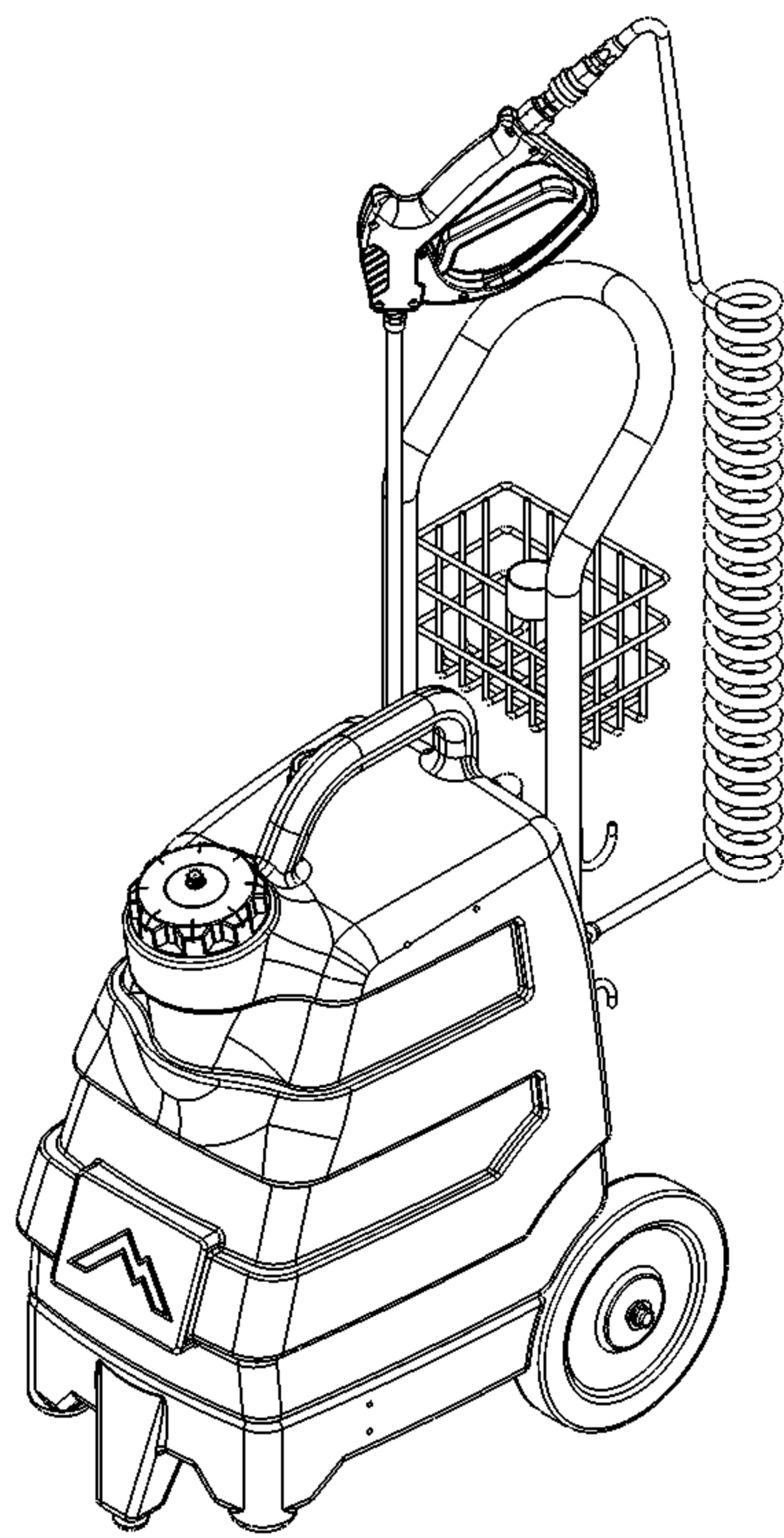
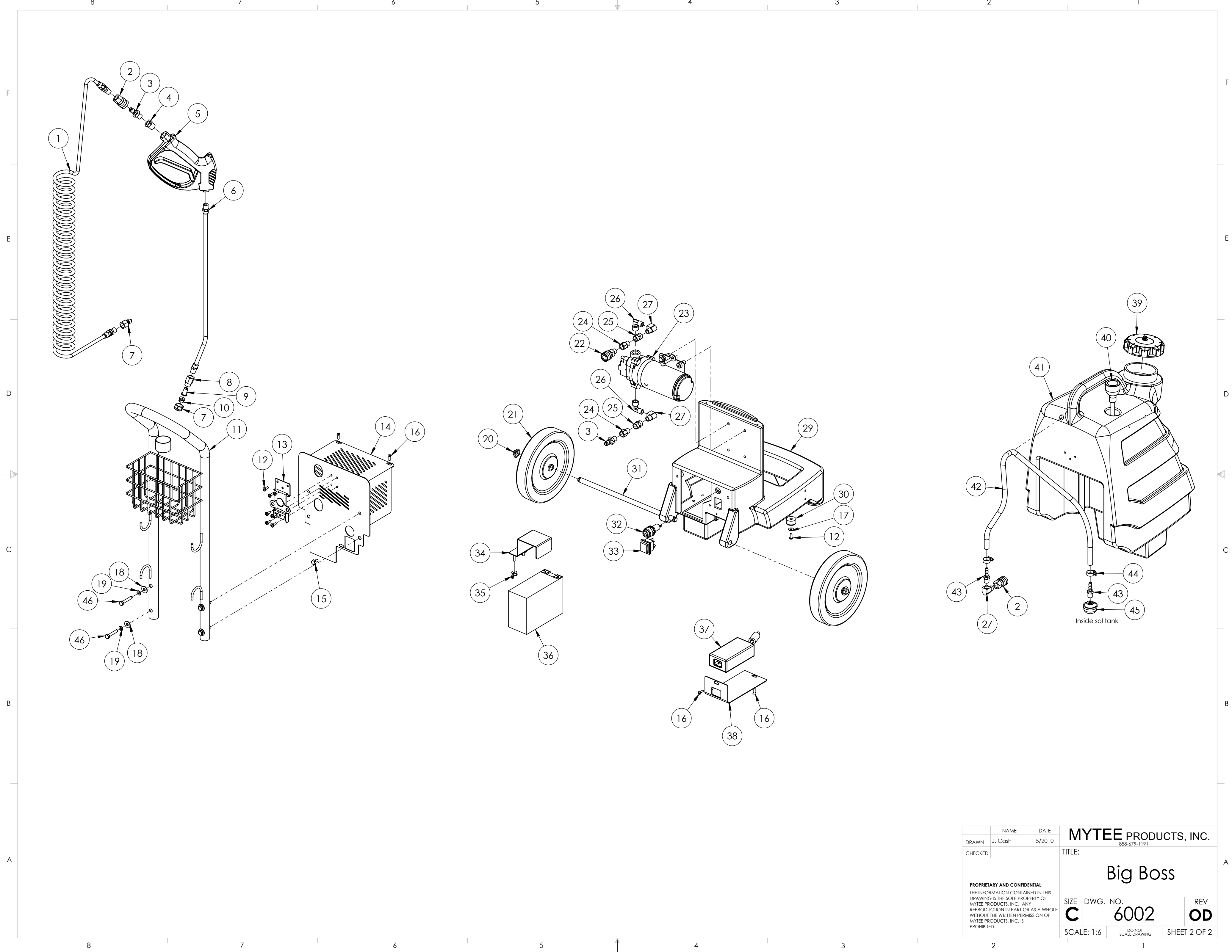


ITEM NO.	PART NO.	DESCRIPTION	QTY.
1	AH170	sol hose, black coil 15' 1/4 m x 1/4 m	1
2	B259A	qd, brass, 1/4" fqd x mpt	2
3	B260A	qd, brass, 1/4" mqd x fpt	2
4	B105	bushing, brass, 3/8"mpt x 1/4"	1
5	H540	gun, high pressure, (batt spray/ counter)	1
6	B301	lance, bent, (nipple) 1/4" mpt x 1/4" mpt	1
7	B260	qd, brass, 1/4" mqd x fpt	1
8	B302	jet housing, 1/4" fpt w/ cap	1
9	B267	strainer, screen for 8006	1
10	B258A	T-Jet 8006	1
11	H688	handle, MLII w/basket	1
12	H230	screw, 10-32 x 1/2 phil pan	8
13	H486	latch, front breeze	1
14	H773	plate, cover, back, boss	1
15	H201	bolt, 1/4-20 x 1/2" hex head, zinc	1
16	H304	screw, #8 x 5/8 phil oval, s/s	4
17	H289	washer, #10 flat, s/s	1
18	H210	washer, 1/4" flat, s/s	8
19	H213	washer, 1/4" lock, s/s	4
20	H219	cap, axle, 1/2"	2
21	H239	wheel, 8"	2
22	B259	qd, brass, 1/4" fqd x mpt	1
23	C305	pump, 120psi, demand, 115V	1
24	B111	adapter, brass, extender, 1/4" mpt x 1/4" fpt, hex	2
25	B142A	coupling, brass, 1/4" fpt x 1/4" fpt	2
26	B652	elbow, brass, 90 deg, 3/8"mpt x 1/4"mpt	2
27	B103	elbow, brass, 90 deg, 1/4"mpt x 1/4" fpt	3
28	H203	bolt, 1/4-20 x 1-1/4" hex head	4
29	P545	chassis, big boss	1
30	G087	bumper w/ built in washer (rubber foot)	1
31	H228	axle, 13.25" x .50", MLII	1
32	E393	monitor, battery level	1
33	E516	switch, rocker, 3 position	1
34	H776	bracket, brace, battery, boss	1
35	H145	nut, wing, 10-32	2
36	E385	battery, 12V, 10AH, battery sprayer	1
37	E386	charger, 12V, w/cord battery sprayer	1
38	H772	cover, charger, boss	1
39	G033	cap, tethered, vented, 3.5"	1
40	H178	faucet fill	1
41	P544	sol tank, big boss	1
42	PH634 (6002)	sol hose, 1/4" kuri 150psi	1
43	B109	adapter, brass, 1/4" barb x 1/4" mpt	2
44	H347	clamp, hose, 5/16-29/32	2
45	B119	filter, strainer, 1/4"	1
46	H316	1/4-20 x 1-1/2" hex head, s/s	4



DRAWN		NAME	DATE	MYTEE PRODUCTS, INC. 858-679-1191
CHECKED		J. Cash	5/2010	
PROPRIETARY AND CONFIDENTIAL THE INFORMATION CONTAINED IN THIS DRAWING IS THE SOLE PROPERTY OF MYTEE PRODUCTS, INC. ANY REPRODUCTION IN PART OR AS A WHOLE WITHOUT THE WRITTEN PERMISSION OF MYTEE PRODUCTS, INC. IS PROHIBITED.				TITLE: <h1>Big Boss</h1>
SIZE	DWG. NO.	REV		
C	6002	0D		
SCALE: 1:4	DO NOT SCALE DRAWING	SHEET 1 OF 2		



	NAME	DATE	MYTEE PRODUCTS, INC.			
DRAWN	J. Cash	5/2010	858-679-1191			
CHECKED			TITLE:			
PROPRIETARY AND CONFIDENTIAL THE INFORMATION CONTAINED IN THIS DRAWING IS THE SOLE PROPERTY OF MYTEE PRODUCTS, INC. ANY REPRODUCTION IN PART OR AS A WHOLE WITHOUT THE WRITTEN PERMISSION OF MYTEE PRODUCTS, INC. IS PROHIBITED.			Big Boss			
			SIZE	DWG. NO.	REV	
			C	6002	OD	
			SCALE: 1:6	DO NOT SCALE DRAWING	SHEET 2 OF 2	