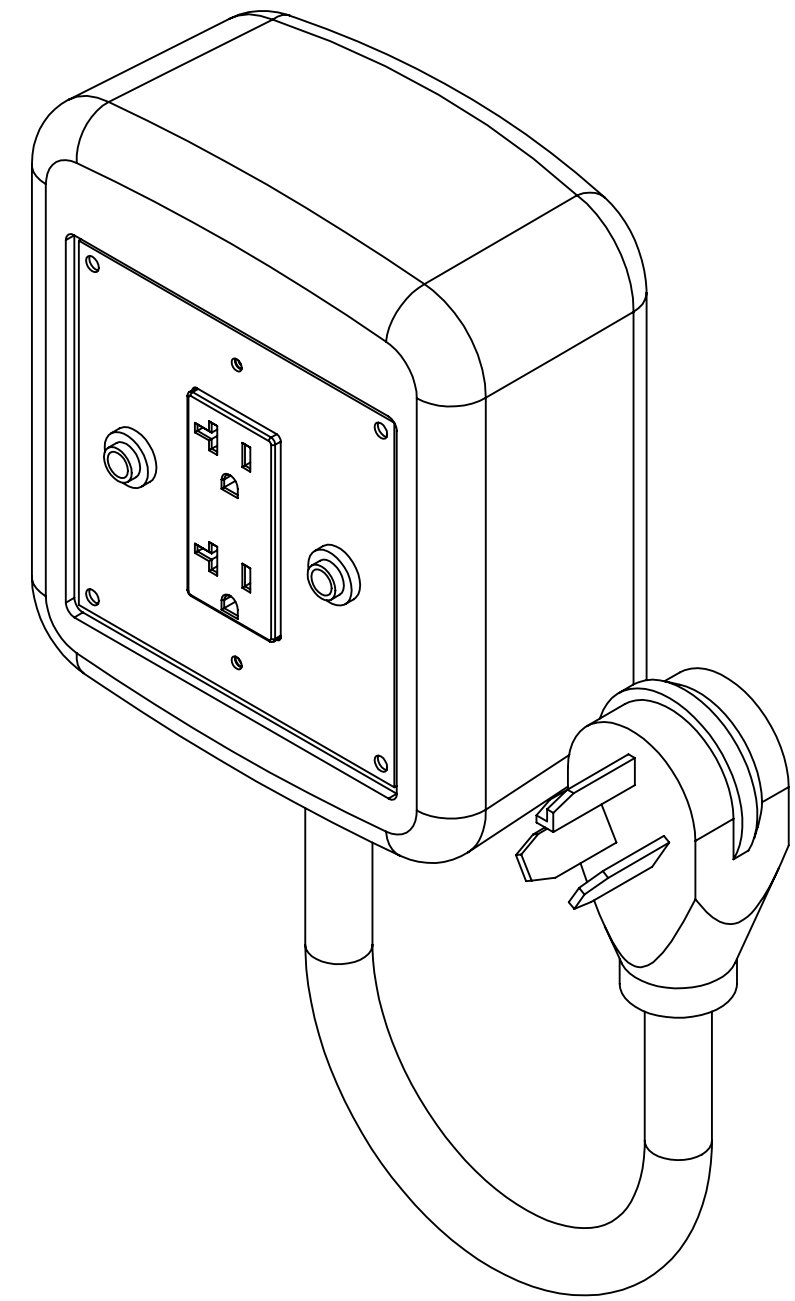
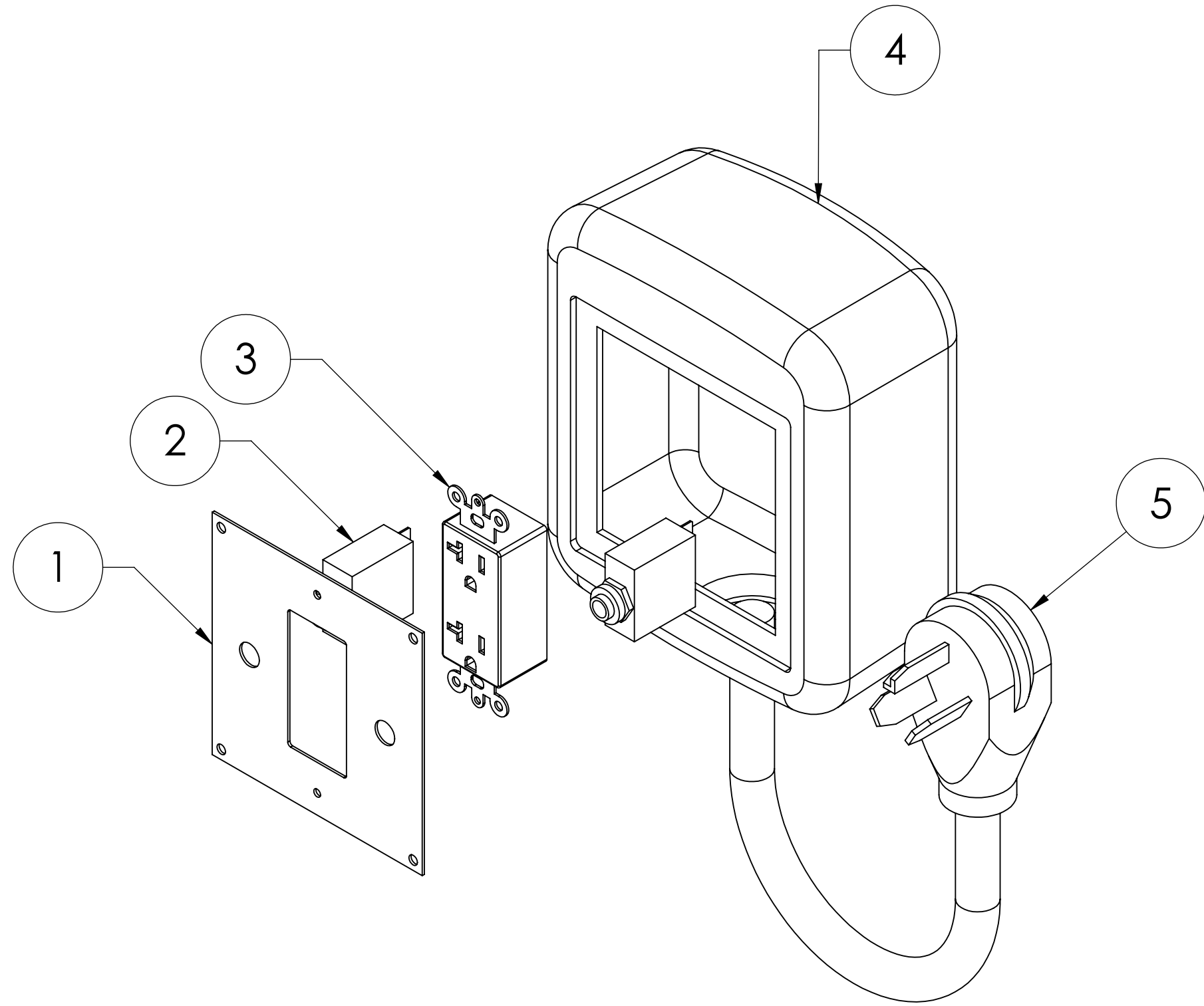


ITEM NO.	PART NO.	DESCRIPTION	QTY.	MSRP
1	H940	plate, switch, electrical converter	1	\$20.99 ea
2	E779	breaker, circuit, 20A w/ retaining nut	2	\$22.99 ea
3	E909	receptacle, DPLX, black 20 amp	1	\$15.99 ea
4	P840	housing, electrical box	1	\$33.99 ea
5	E907	cord, 4' black	1	\$16.99 ea



	NAME	DATE	<b>MYTEE PRODUCTS, INC.</b> 858-679-1191	
DRAWN	J.Cash	10/25/10	TITLE: <b>Electrical Converter</b>	
CHECKED			SIZE DWG. NO.	REV
<small>PROPRIETARY AND CONFIDENTIAL THE INFORMATION CONTAINED IN THIS DRAWING IS THE SOLE PROPERTY OF MYTEE PRODUCTS, INC. ANY REPRODUCTION IN PART OR AS A WHOLE WITHOUT THE WRITTEN PERMISSION OF MYTEE PRODUCTS, INC. IS PROHIBITED.</small>			<b>C</b>	<b>5003</b>
			SCALE: 1:2	DO NOT SCALE DRAWING