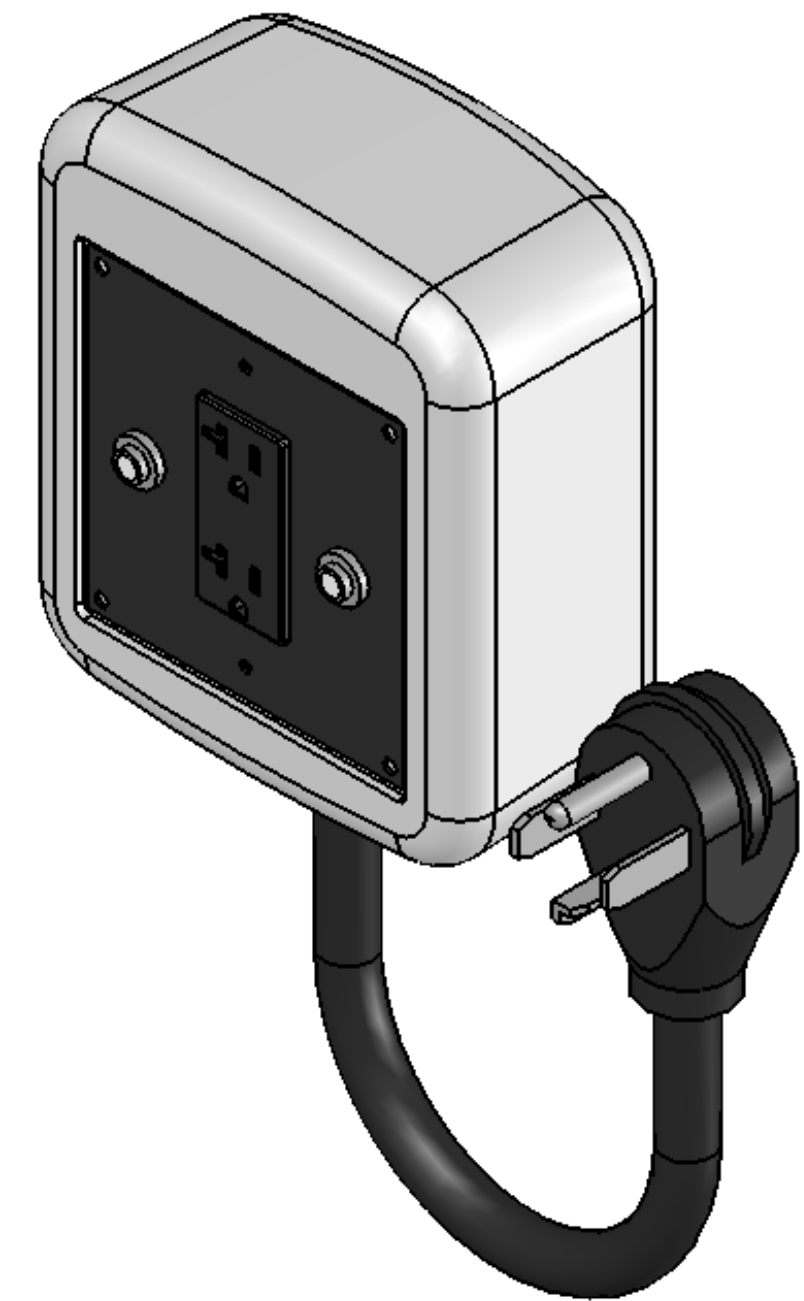
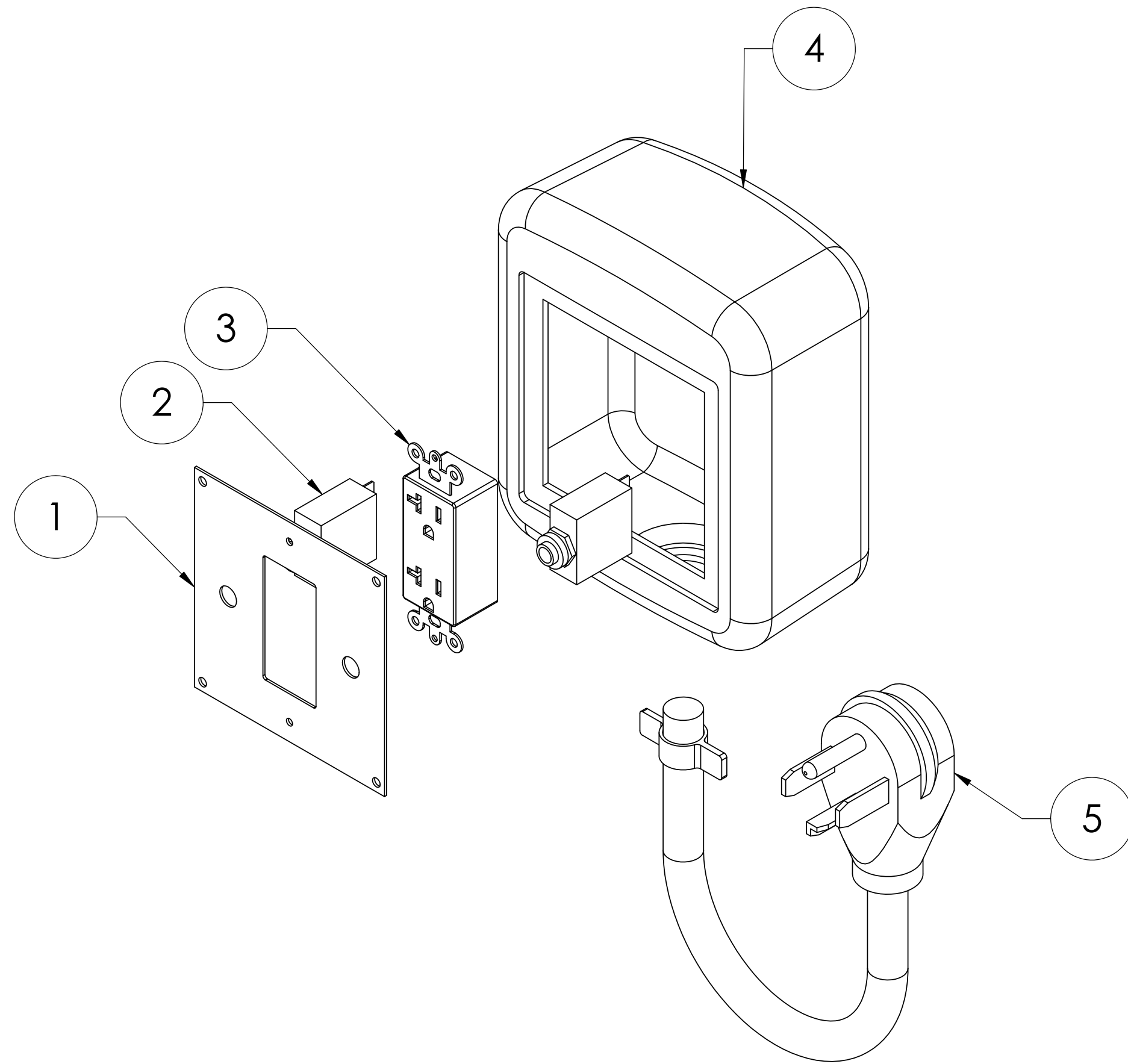


ITEM NO.	PART NO	DESCRIPTION	QTY.
1	H940	plate, switch, electrical converter	1
2	E779	breaker, circuit, 20A w/ retaining nut	2
3	E909	receptacle, DPLX, black 20 amp	1
4	P840	housing, electrical box	1
5	E908	cord, 4' black, 4 wire	1

Not shown:

E907 - cord, 4' gray dryer, 3 wire



UNLESS OTHERWISE SPECIFIED:		NAME	DATE	MYTEE PRODUCTS, INC.	
DIMENSIONS ARE IN INCHES TOLERANCES:		DRAWN	V. LABARBERA	10/30/06	858-679-1191
ANGULAR: MACH ±.5°		CHECKED		TITLE:	
ONE PLACE DECIMAL ±.1		ENG APPR:		Electrical Converter	
TWO PLACE DECIMAL ±.03		COMMENTS:		SIZE	DWG. NO.
THREE PLACE DECIMAL ±.005				C	5000
PROPRIETARY AND CONFIDENTIAL THE INFORMATION CONTAINED IN THIS DRAWING IS THE SOLE PROPERTY OF MYTEE PRODUCTS, INC. ANY REPRODUCTION IN PART OR AS A WHOLE WITHOUT THE WRITTEN PERMISSION OF MYTEE PRODUCTS, INC. IS PROHIBITED.		MATERIAL		USED ON:	REV
		FINISH		SCALE: 1:2	DO NOT SCALE DRAWING
				SHEET 1 OF 1	