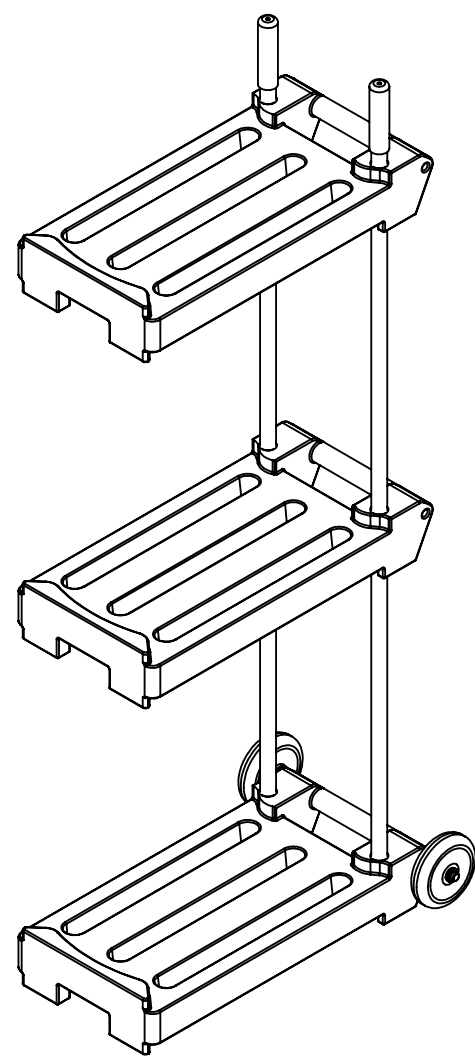
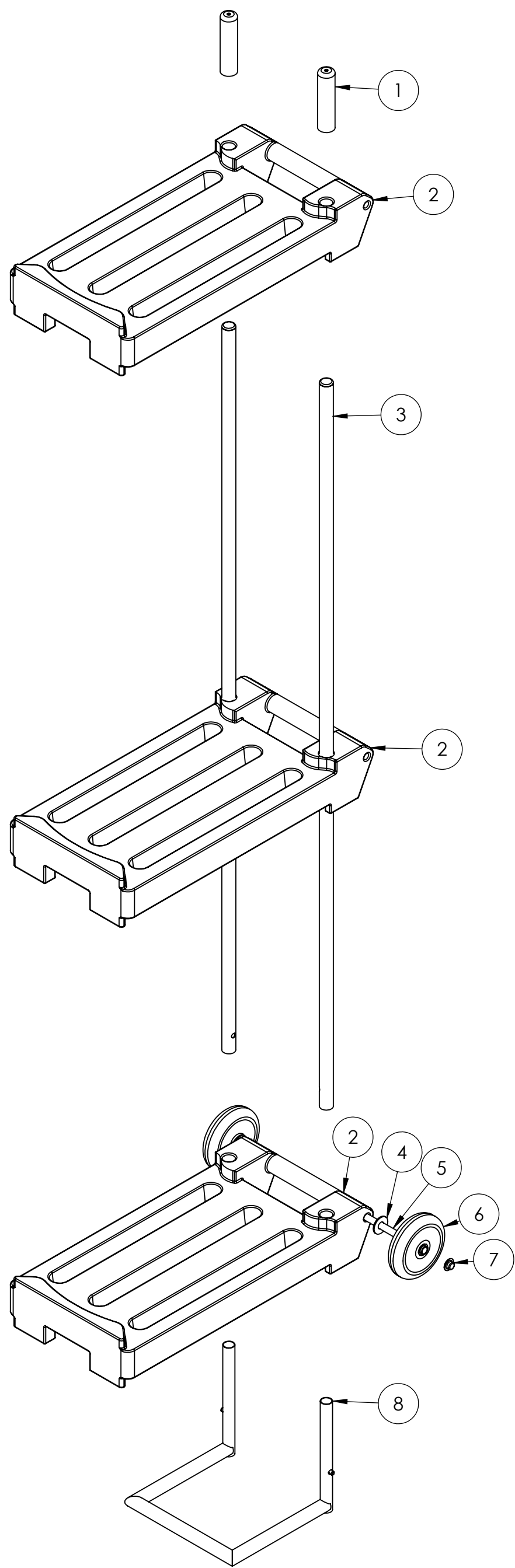


ITEM NO.	PART NO.	DESCRIPTION	QTY.	MSRP
1	G040	grip, handle, floor machine	2	\$1.99 ea
2	P528A	plastic shelf, airmover dolly	3	\$64.99 ea
3	H757	tube, upright support, airmover dolly	2	\$17.99 ea
4	H254	washer, axle, cut 1/2" id	2	\$0.99 ea
5	H224	axle, 17.50" x .50" dia, fb	1	\$9.99 ea
6	H170	wheel, 5"	2	\$11.99 ea
7	H219	cap, axle, 1/2"	2	\$0.99 ea
8	H756	chassis, airmover dolly	1	\$19.99 ea



	NAME	DATE	MYTEE PRODUCTS, INC.			
DRAWN	J. Cash	5/2010	858-679-1191			
CHECKED			TITLE:			
PROPRIETARY AND CONFIDENTIAL THE INFORMATION CONTAINED IN THIS DRAWING IS THE SOLE PROPERTY OF MYTEE PRODUCTS, INC. ANY REPRODUCTION IN PART OR AS A WHOLE WITHOUT THE WRITTEN PERMISSION OF MYTEE PRODUCTS, INC. IS PROHIBITED.			dolly, tradewind			
			SIZE	DWG. NO.	REV	
			C	3004		
			SCALE: 1:5	DO NOT SCALE DRAWING	SHEET 1 OF 1	