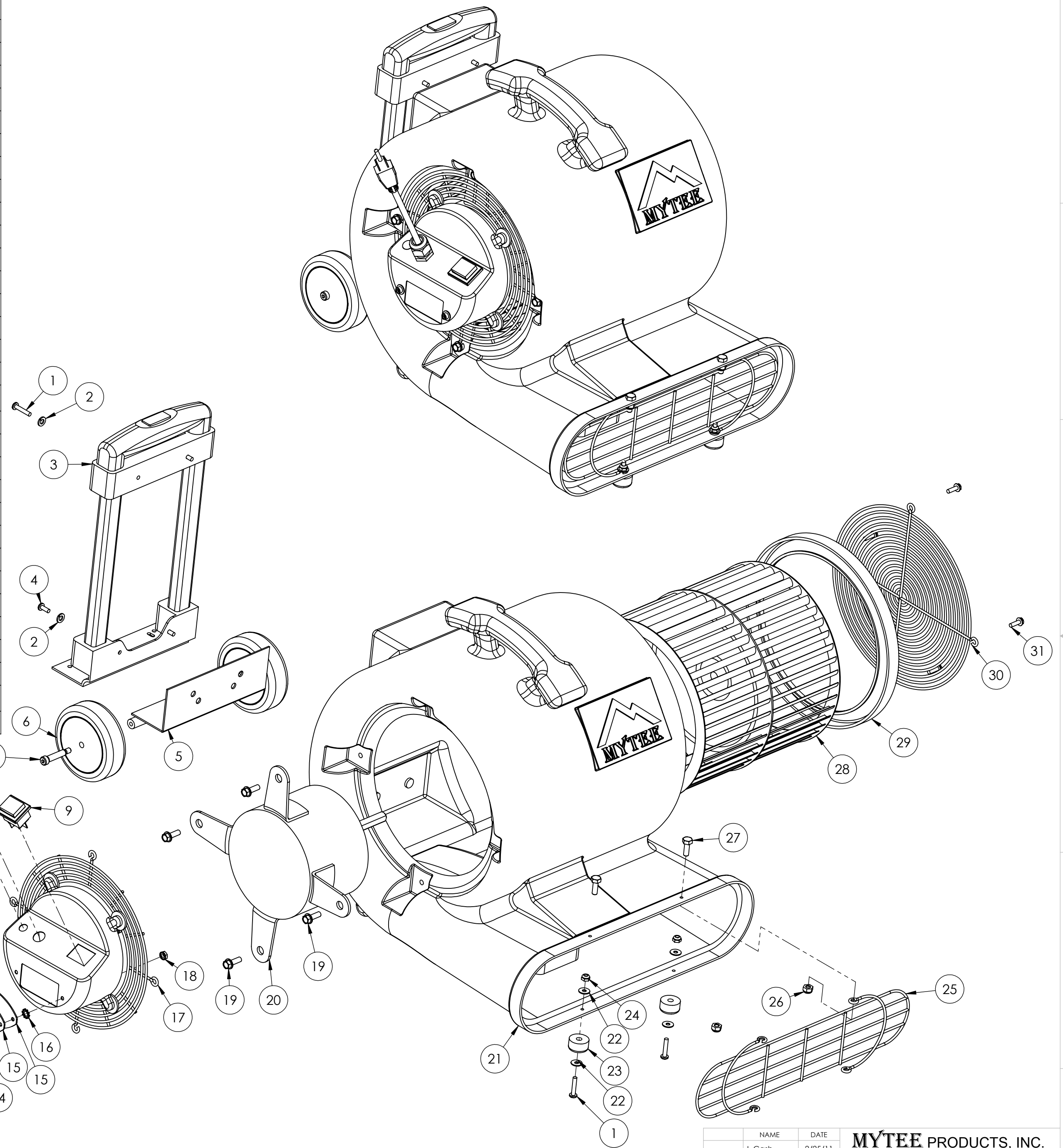


ITEM NO.	PART NO.	DESCRIPTION	QTY.	MSRP
1	H231	screw, 10-32 x 1" phil pan	4	\$0.99 ea
2	H213	washer, 1/4" lock, s/s	4	\$0.99 ea
3	H309	handle, luggage style - 14" collapsed, 35" open	1	\$52.99 ea
4	H230	screw, 10-32 x 1/2 phil pan	2	\$0.99 ea
5	H402	bracket, luggage, wheel assembly	1	\$23.99 ea
6	H670	wheel, 4", fixed hub	2	\$9.99 ea
7	H650	bolt, 5/16" shoulder x 1-1/2" lg, alloy	2	\$1.49 ea
8	H434	plug, vent, heyco, 1/2"	1	\$4.48 ea
9	E516	switch, rocker, 3 position	1	\$14.99 ea
10	E533	power cord, end, 25', 16/3	1	\$35.49 ea
11	H220	fitting, strain relief, cord	1	\$3.19 ea
12	H221	nut, lock, 1/2" steel	1	\$1.99 ea
13	H389	screw, #10-32 x 1/2" SHCS, alloy	2	\$0.99 ea
14	H612	washer, #8 flat, s/s	2	\$0.99 ea
15	G209	hole cover, GFI, airmover	2	\$2.49 ea
16	H307	washer, star, 1/4" steel zinc	1	\$0.99 ea
17	A955A	guard, side, squirrel cage airmover - no plastic ring	1	\$57.99 ea
18	H273	nut, kep, #10-32 zinc	2	\$0.99 ea
19	H768	bolt, 1/4-20 x 3/4" serrated hex flange, zinc	4	\$0.99 ea
20	C335	motor, low amp (2.4A), 1/3 HP, 2 speed, 115V	1	\$147.99 ea
21	P718	housing, airmover squirrel cage	1	\$154.99 ea
22	H289	washer, #10 flat, s/s	4	\$0.99 ea
23	G087	bumper w/ built in washer (rubber foot)	2	\$0.99 ea
24	H458	nut, lock, 10-32, thin pattern	2	\$0.99 ea
25	H339	front guard, squirrel cage airmover	1	\$12.99 ea
26	H216	nut, lock, 1/4-20 nylon insert	2	\$0.99 ea
27	H202	bolt, 1/4-20 x 3/4" hex head, s/s	2	\$0.99 ea
28	H323	blower wheel, 9", squirrel cage airmover	1	\$46.49 ea
29	P705	ring, plastic, mytee dry	1	\$13.49 ea
30	A956A	guard, side, squirrel cage airmover - no plastic ring	1	\$10.49 ea
31	H343	screw, #10 x 5/8" hex head, zinc	4	\$0.99 ea



NAME	DATE	MYTEE PRODUCTS, INC. 858-679-1191	
DRAWN J. Cash	2/25/11	TITLE:	
CHECKED		Mytee-Dry Airmover, w/handle	
<small>PROPRIETARY AND CONFIDENTIAL</small> <small>THE INFORMATION CONTAINED IN THIS DRAWING IS THE SOLE PROPERTY OF MYTEE PRODUCTS, INC. ANY REPRODUCTION IN PART OR AS A WHOLE WITHOUT THE WRITTEN PERMISSION OF MYTEE PRODUCTS, INC. IS PROHIBITED.</small>		SIZE DWG. NO.	REV
		C	2200H
SCALE: 1:4	DO NOT SCALE DRAWING	SHEET 1 OF 1	