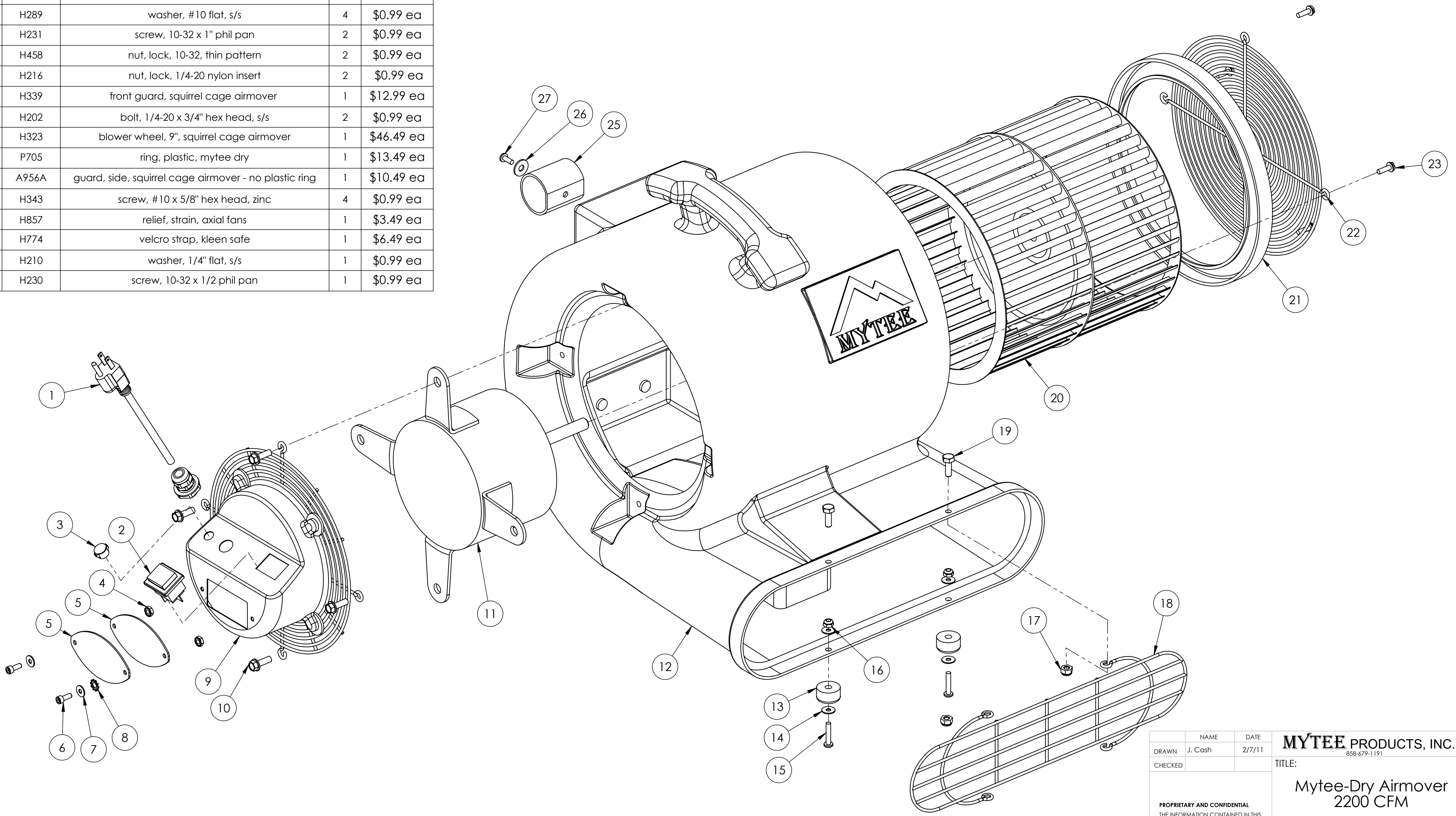


ITEM NO.	PART NO.	DESCRIPTION	QTY.	MSRP
1	E533	power cord, end, 25', 16/3	1	\$35.49 ea
2	E516	switch, rocker, 3 position	1	\$14.99 ea
3	H434	plug, vent, heyco, 1/2"	1	\$4.48 ea
4	H273	nut, kep, #10-32 zinc	2	\$0.99 ea
5	G209	hole cover, GFI, airmover	2	\$2.49 ea
6	H389	screw, #10-32 x 1/2" SHCS, alloy	2	\$0.99 ea
7	H612	washer, #8 flat, s/s	2	\$0.99 ea
8	H307	washer, star, 1/4" steel zinc	1	\$0.99 ea
9	A955A	guard, side, squirrel cage airmover - no plastic ring	1	\$57.99 ea
10	H768	bolt, 1/4-20 x 3/4" serrated hex flange, zinc	4	\$0.99 ea
11	C335	motor, low amp (2.4A), 1/3 HP, 2 speed, 115V	1	\$147.99 ea
12	P718	housing, airmover squirrel cage	1	\$154.99 ea
13	G087	bumper w/ built in washer (rubber foot)	2	\$0.99 ea
14	H289	washer, #10 flat, s/s	4	\$0.99 ea
15	H231	screw, 10-32 x 1" phil pan	2	\$0.99 ea
16	H458	nut, lock, 10-32, thin pattern	2	\$0.99 ea
17	H216	nut, lock, 1/4-20 nylon insert	2	\$0.99 ea
18	H339	front guard, squirrel cage airmover	1	\$12.99 ea
19	H202	bolt, 1/4-20 x 3/4" hex head, s/s	2	\$0.99 ea
20	H323	blower wheel, 9", squirrel cage airmover	1	\$46.49 ea
21	P705	ring, plastic, mytee dry	1	\$13.49 ea
22	A956A	guard, side, squirrel cage airmover - no plastic ring	1	\$10.49 ea
23	H343	screw, #10 x 5/8" hex head, zinc	4	\$0.99 ea
24	H857	relief, strain, axial fans	1	\$3.49 ea
25	H774	velcro strap, kleen safe	1	\$6.49 ea
26	H210	washer, 1/4" flat, s/s	1	\$0.99 ea
27	H230	screw, 10-32 x 1/2 phil pan	1	\$0.99 ea



NAME	DATE	MYTEE PRODUCTS, INC. 858-679-1191	
DRAWN J. Cash	2/7/11	TITLE:	
CHECKED		Mytee-Dry Airmover 2200 CFM	
<small>PROPRIETARY AND CONFIDENTIAL</small> <small>THE INFORMATION CONTAINED IN THIS DRAWING IS THE SOLE PROPERTY OF MYTEE PRODUCTS, INC. ANY REPRODUCTION IN PART OR AS A WHOLE WITHOUT THE WRITTEN PERMISSION OF MYTEE PRODUCTS, INC. IS PROHIBITED.</small>		SIZE DWG. NO. C 2200	REV OD
SCALE: 1:3		DO NOT SCALE DRAWING	SHEET 1 OF 1