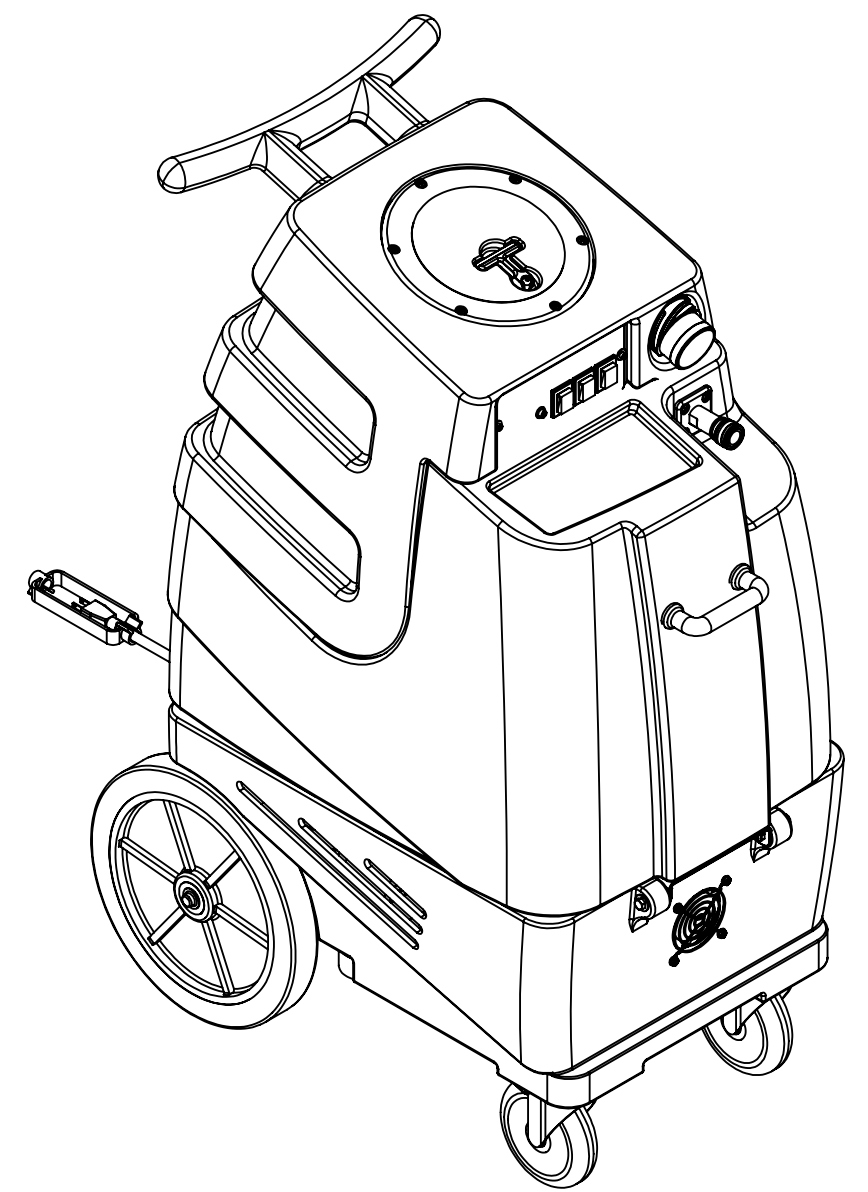


ITEM NO.	PART NO.	DESCRIPTION	QTY.	MSRP
1	C317	fan, cooling, 115V	1	\$21.49 ea
2	H343	screw, #10 x 5/8" hex head, zinc	12	\$0.99 ea
3	H296	guard, cooling fan, wire	3	\$2.99 ea
4	H770	bolt, 1/4-20 x 1/2" serrated hex flange, zinc	8	\$0.99 ea
5	H211	washer, 1/4" id x 1" od, flat, s/s	6	\$0.99 ea
6	H485	handle, breeze and dx	1	\$6.99 ea
7	H210	washer, 1/4" flat, s/s	19	\$0.99 ea
8	H202	bolt, 1/4-20 x 3/4" hex head, s/s	8	\$0.99 ea
9	H666	caster, 5"	2	\$23.19 ea
10	H216	nut, lock, 1/4-20 nylon insert	13	\$0.99 ea
11	P731	base, speedster	1	\$141.99 ea
12	H254	washer, axle, cut 1/2" id	4	\$0.99 ea
13	H251	wheel, 12"	2	\$41.99 ea
14	H219	cap, axle, 1/2"	2	\$0.99 ea
15	H371	axle, 18.25" x .50" dia	1	\$9.99 ea
16	H221	nut, lock, 1/2" steel	1	\$1.99 ea
17	G131	connector, cord lock	1	\$4.99 ea
18	E550	power cord, pigtail, 30', 12/3, black	1	\$11.49 ea
19	H220	fitting, strain relief, cord	1	\$3.19 ea
20	H201	bolt, 1/4-20 x 1/2", hex head, zinc	8	\$0.99 ea
21	H601	plate, manifold, parallel	1	\$13.49 ea
22	H768	bolt, 1/4-20 x 3/4" serrated hex flange, zinc	11	\$0.99 ea
23	P750	manifold, dual vac, parallel	1	\$15.99 ea
24	G004	gasket, vacuum motor	2	\$8.99 ea
25	H500	vac support, 2 stage, 3-1/8"	6	\$3.99 ea
26	C310	vac motor, 2 stage high performance	2	\$103.99 ea
27	G059	exhaust boot, plastisol	2	\$4.99 ea
28	PH628-24	vac hose, 2", wire reinforced	1	\$8.99/ft
29	H544	cuff hose, 2 X 2, wire reinforced	1	\$12.49 ea
30	H217	clamp, hose, 2-1/4 dia	3	\$1.49 ea
31	B172	elbow, brass, 90 deg, 1/2" barb x 3/8" mpt	1	\$9.49 ea
32	H273	nut, kep, #10-32 zinc	6	\$0.99 ea
33	PH615-26	sol hose, 1/2" kuri 100psi	1	\$8.99/ft
34	H347	clamp, hose, 5/16-29/32	4	\$1.99 ea
35	B160	adapter, brass, 1/2" barb x 3/8" fsw, ball end	1	\$3.49 ea
36	H299	washer, 11/16" id x 1-1/2" od x .075, s/s	5	\$0.99 ea
37	B186	elbow, brass, 90 deg, 3/8" mpt x 3/8" fmpt	1	\$8.99 ea
38	B107	nipple, brass, 1/4" m, hex	2	\$3.19 ea
39	B136	elbow, brass, 90 deg, 1/4" mpt x 1/4" mpt	1	\$4.99 ea
40	B105	bushing, brass, 3/8" mpt x 1/4"	1	\$3.19 ea
41	H222	screw, #10-32 x 1-1/4" phil pan head, zinc	4	\$0.99 ea
42	C305	pump, 120psi, demand, 115V	1	\$151.99 ea
43	H912	bracket, rear, fb/spy	1	\$9.99 ea
44	H307	washer, star, 1/4" steel zinc	2	\$0.99 ea
45	H203	bolt, 1/4-20 x 1-1/4" hex head	2	\$0.99 ea
46	G052	washer, buna 1-1/8" od x 3/16" id	6	\$1.99 ea
47	H213	washer, 1/4" lock, s/s	4	\$0.99 ea
48	H215	nut, hex, 1/4-20 s/s	2	\$0.99 ea
49	P732	sol tank, speedster	1	\$141.99 ea
50	H484	plate, mounting, QD	1	\$4.99 ea
51	B102	qd, brass, 1/4" f	1	\$17.99 ea
52	H256	screw, #10-32 x 3/4" phil pan head, zinc	4	\$0.99 ea
53	AH120	sol hose, 28" x 1/4", 1/4 fpt	2	\$35.49 ea

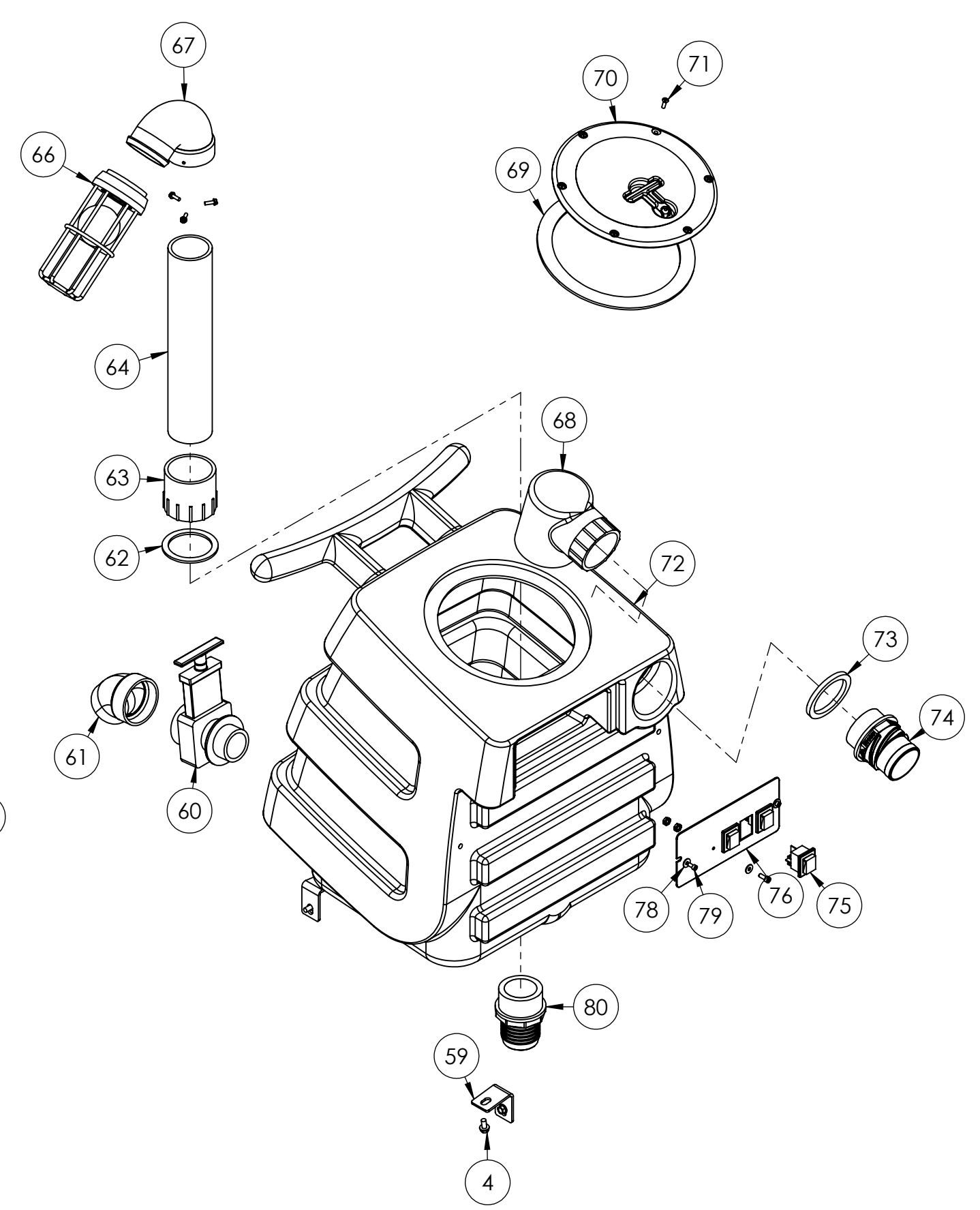
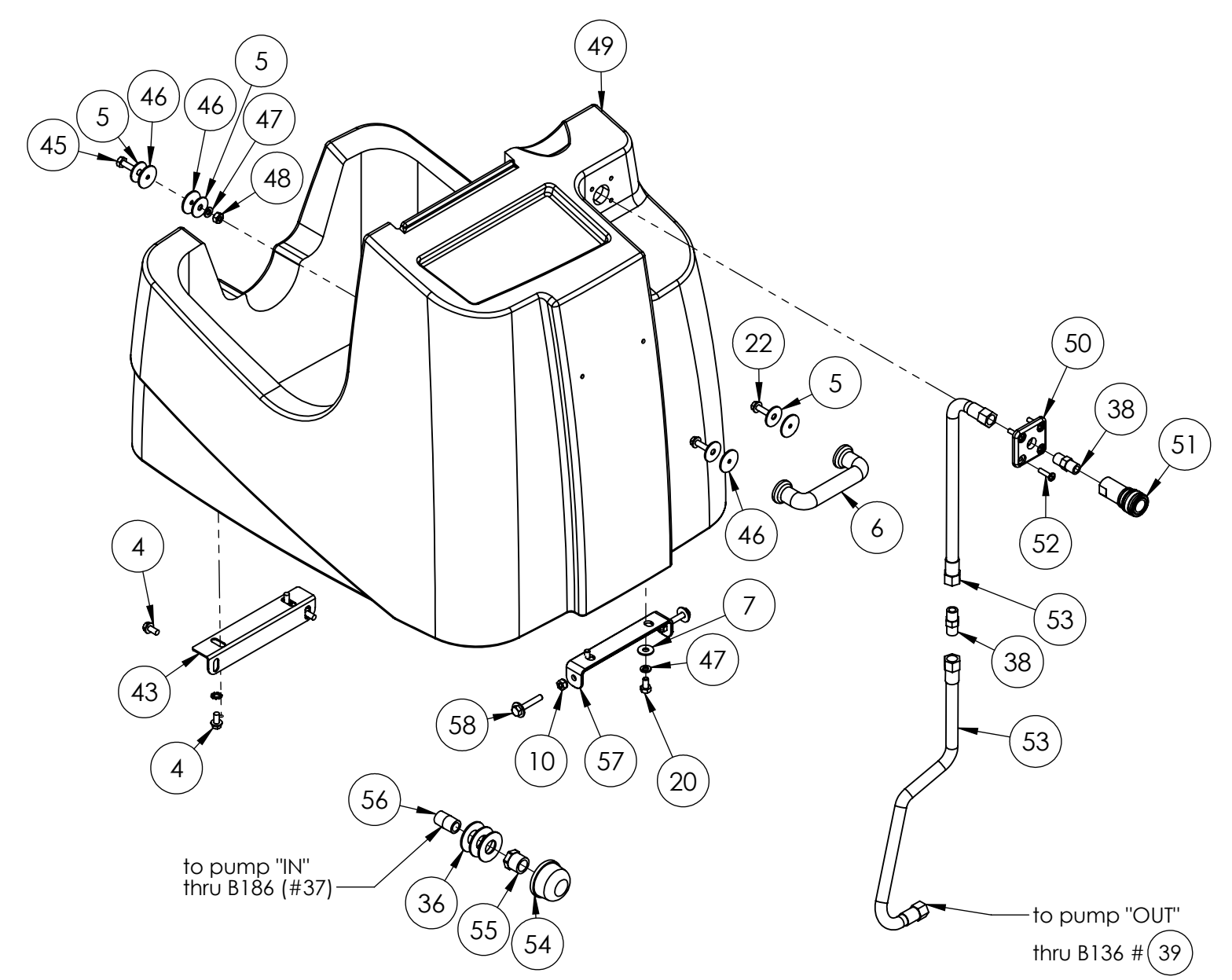
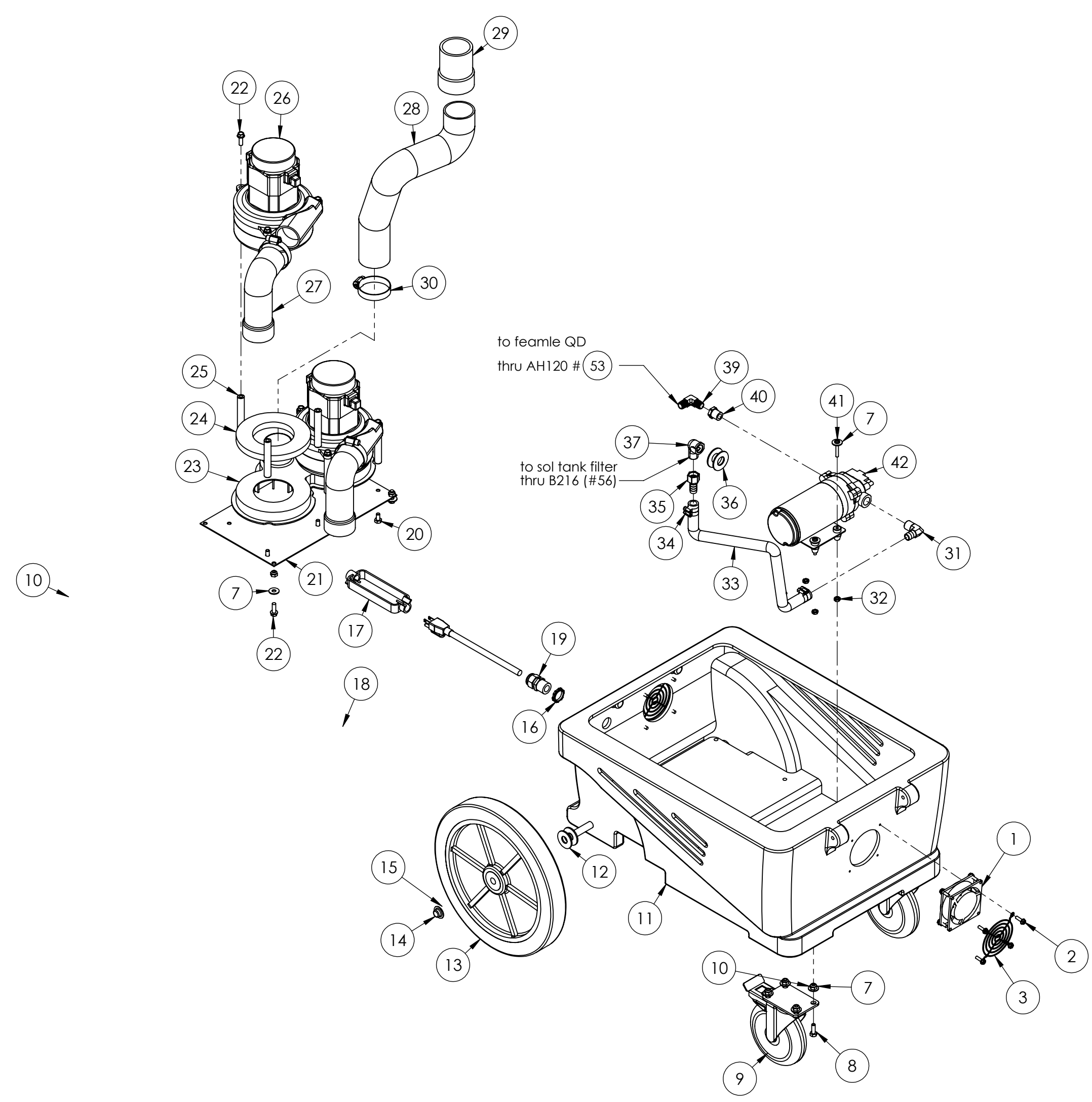
ITEM NO.	PART NO.	DESCRIPTION	QTY.	MSRP
54	B119A	filter, strainer, 1/2"	1	\$6.49 ea
55	B210	bushing, brass, 1/2" mpt x 3/8" fpt, hex	1	\$2.49 ea
56	B216	nipple, brass, 3/8" x close	1	\$1.99 ea
57	H378	bracket, front hinge, sp/fb	1	\$8.99 ea
58	H316	bolt, 1/4-20 x 1-1/2" hex head, s/s	2	\$0.99 ea
59	H390A	bracket, "L" (all extractors)	2	\$6.99 ea
60	H225	valve, drain, 1-1/2"	1	\$20.99 ea
61	H226	spout, drain, 45 degree	1	\$3.19 ea
62	G002	gasket, cam fitting polyethylene, 2.35" OD 1.90" ID	1	\$6.49 ea
63	P684	adaptor, pvc, 2, fmsl x fmt	1	\$6.99 ea
64	P682	pipe, pvc, 2"	1	\$7.99/ft
65	H297	screw, #8 x 1/2", hex head, zinc	3	\$0.99 ea
66	H490	float, 2", ball style	1	\$18.49 ea
67	P726	elbow, 2" float	1	\$11.49 ea
68	A926	elbow, inlet assembly 2"	1	\$15.99 ea
69	G091	gasket, 7", vac lid	1	\$11.99 ea
70	G090	lid, vac tank, black, 7"	1	\$36.99 ea
71	H304	screw, #8 x 5/8 phil oval, s/s	6	\$0.99 ea
72	P733	vac tank, speedster	1	\$190.99 ea
73	G083	gasket, 2" inlet	1	\$2.49 ea
74	H135	Cuff-Lynx, 2" m cuff x 2" mpt	1	\$3.99 ea
75	E515	switch, rocker, 2 position	3	\$13.99 ea
76	H338	plate, switch, sp, 3 hole	1	\$6.99 ea
77	H389	screw, #10-32 x 1/2" SHCS, alloy	1	\$0.99 ea
78	H612	washer, #8 flat, s/s	3	\$0.99 ea
79	H246	screw, #8-32 x 3/8" SHCS, alloy	2	\$0.99 ea
80	P685	inlet, 2"	1	\$10.99 ea



Items Not Shown

PART NO.	DESCRIPTION	QTY	MSRP
E530	power cord, ext, 50', 12/3, black	1	\$74.99 ea
G008	piglet filter	1	\$6.29 pak
G085	gasket, strip, 3/4" x 36" x 1/8"	1	\$4.99 ea
H230	screw, 10-32 x 1/2" phil pan head, s/s	2	\$0.99 ea
H141	Cuff-Lynx, 2" to 1.5" reducer	1	\$3.99 ea
H375	hanger, wire formed, hose	1	\$10.99 ea
H110	Cuff-Lynx, 2" hose x 2" fem swivel cuff-lynx	1	\$3.99 ea
G029	Banana Bag - mesh bag, yellow	1	\$4.00 ea

NAME	DATE	MYTEE PRODUCTS, INC. 858-679-1191
DRAWN M.LaBarbera	8/4/11	
CHECKED		TITLE:
		speedster
<small>PROPRIETARY AND CONFIDENTIAL THE INFORMATION CONTAINED IN THIS DRAWING IS THE SOLE PROPERTY OF MYTEE PRODUCTS, INC. ANY REPRODUCTION IN PART OR AS A WHOLE WITHOUT THE WRITTEN PERMISSION OF MYTEE PRODUCTS, INC. IS PROHIBITED.</small>		SIZE DWG. NO. REV C 1000DX
SCALE: 1:8	DO NOT SCALE DRAWING	SHEET 1 OF 2



NAME	DATE	MYTEE PRODUCTS, INC. 850-679-1191
M.LaBarbera	8/4/11	
DRAWN		TITLE:
CHECKED		speedster
PROPRIETARY AND CONFIDENTIAL THE INFORMATION CONTAINED IN THIS DRAWING IS THE SOLE PROPERTY OF MYTEE PRODUCTS, INC. ANY REPRODUCTION IN PART OR AS A WHOLE WITHOUT THE WRITTEN PERMISSION OF MYTEE PRODUCTS, INC. IS PROHIBITED.		SIZE DWG. NO. REV
		D 1000DX
SCALE: 1:7		DO NOT SCALE DRAWING SHEET 2 OF 2