

| ITEM NO. | PART NO.  | DESCRIPTION   | QTY. |
|----------|-----------|---|------|
| 1        | H343      | screw, #10 x 5/8" hex head, zinc                      | 8    |
| 2        | H296      | guard, cooling fan, wire                              | 2    |
| 3        | H770      | bolt, 1/4-20 x 1/2" serrated hex flange, zinc         | 8    |
| 4        | H211      | washer, 1/4" id x 1" od, flat, s/s                    | 8    |
| 5        | H485      | handle, breeze and dx                                 | 2    |
| 6        | H210      | washer, 1/4" flat, s/s                                | 19   |
| 7        | H342      | bolt, 1/4-20 x 1" hex head, s/s                       | 8    |
| 8        | H666      | caster, 5"  | 2    |
| 9        | H216      | nut, lock, 1/4-20, nylon insert, s/s                  | 13   |
| 10       | P731      | base, speedster                                       | 1    |
| 11       | H254      | washer, axle, cut 1/2" id                             | 4    |
| 12       | H251      | wheel, 12"  | 2    |
| 13       | H219      | cap, axle, 1/2"                                       | 2    |
| 14       | H371      | axle, 18.25" x .50" dia                               | 1    |
| 15       | H221      | nut, lock, 1/2" steel                                 | 1    |
| 16       | G131      | connector, cord lock                                  | 1    |
| 17       | E550      | power cord, pigtail, 30', 12/3, black                 | 1    |
| 18       | H220      | fitting, strain relief, cord                          | 1    |
| 19       | H201      | bolt, 1/4-20 x 1/2" hex head, zinc                    | 8    |
| 20       | H601      | plate, manifold, parallel                             | 1    |
| 21       | H768      | bolt, 1/4-20 x 3/4" serrated hex flange, zinc         | 11   |
| 22       | P750      | manifold, dual vac, parallel                          | 1    |
| 23       | G004      | gasket, vacuum motor                                  | 2    |
| 24       | H500      | vac support, 2 stage, 3-1/8"                          | 6    |
| 25       | C310      | vac motor, 2 stage high performance                   | 2    |
| 26       | G059      | exhaust boot, plastisol                               | 2    |
| 27       | PH628-24  | vac hose, 2", wire reinforced                         | 1    |
| 28       | H544      | cuff hose, 2 X 2, wire reinforced                     | 1    |
| 29       | H217      | clamp, hose, 2-1/4 dia                                | 3    |
| 30       | B172      | elbow, brass, 90 deg, 1/2" barb x 3/8" mpt            | 1    |
| 31       | H273      | nut, kep, #10-32 zinc                                 | 4    |
| 32       | PH615-26  | sol hose, 1/2" kuri 100psi                            | 1    |
| 33       | H347      | clamp, hose, 5/16-29/32                               | 4    |
| 34       | B160      | adapter, brass, 1/2" barb x 3/8" fsw, ball end        | 1    |
| 35       | H299      | washer, 11/16" id x 1-1/2" od x .075, s/s             | 5    |
| 36       | B186      | elbow, brass, 90 deg, 3/8" mpt x 3/8" fmpt            | 1    |
| 37       | AH108S-22 | sol hose, 1/4" x 24 1/2", (OAL), f x fsw, 3000psi     | 1    |
| 38       | B103      | elbow, brass, 90 deg, 1/4" mpt x 1/4" fpt             | 2    |
| 39       | B107      | nipple, brass, 1/4" m, hex                            | 1    |
| 40       | H212      | washer, 9/16" id x 1" od, flat, s/s                   | 4    |
| 41       | B136      | elbow, brass, 90 deg, 1/4" mpt x 1/4" mpt             | 1    |
| 42       | B105      | bushing, brass, 3/8" mpt x 1/4"                       | 1    |
| 43       | H222      | screw, #10-32 x 1-1/4" phil pan head, zinc            | 4    |
| 44       | C305      | pump, 120psi, demand, 115V                            | 1    |
| 45       | H922      | knob, thumb screw, for bracket                        | 2    |
| 46       | H307      | washer, star, 1/4" steel zinc                         | 2    |
| 47       | H912      | bracket, rear, fb/spy                                 | 1    |
| 48       | H203      | bolt, 1/4-20 x 1-1/4" hex head                        | 2    |
| 49       | G052      | washer, buna 1-1/8" od x 3/16" id                     | 6    |
| 50       | H213      | washer, 1/4" lock, s/s                                | 4    |
| 51       | H215      | nut, hex, 1/4-20 s/s                                  | 2    |
| 52       | P732      | sol tank, speedster                                   | 1    |
| 53       | H413      | washer, nylon, 9/16" id x 1-1/16" od x .031           | 2    |
| 54       | B111      | adapter, brass, extender, 1/4" mpt x 1/4" fpt, hex    | 1    |
| 55       | B102      | qd, brass, 1/4" f                                     | 1    |
| 56       | B106      | nipple, brass, 1/4" x close                           | 1    |
| 57       | AH105-18  | hose, 3/8" x 17-1/2", (OAL), f x -fsw, surge, 1600psi | 1    |
| 58       | B119A     | filter, strainer, 1/2"                                | 1    |
| 59       | B210      | bushing, brass, 1/2" mpt x 3/8" fpt, hex              | 1    |
| 60       | B216      | nipple, brass, 3/8" x close                           | 1    |
| 61       | H378      | bracket, front hinge, sp/fb                           | 1    |
| 62       | H316      | bolt, 1/4-20 x 1-1/2" hex head, s/s                   | 2    |

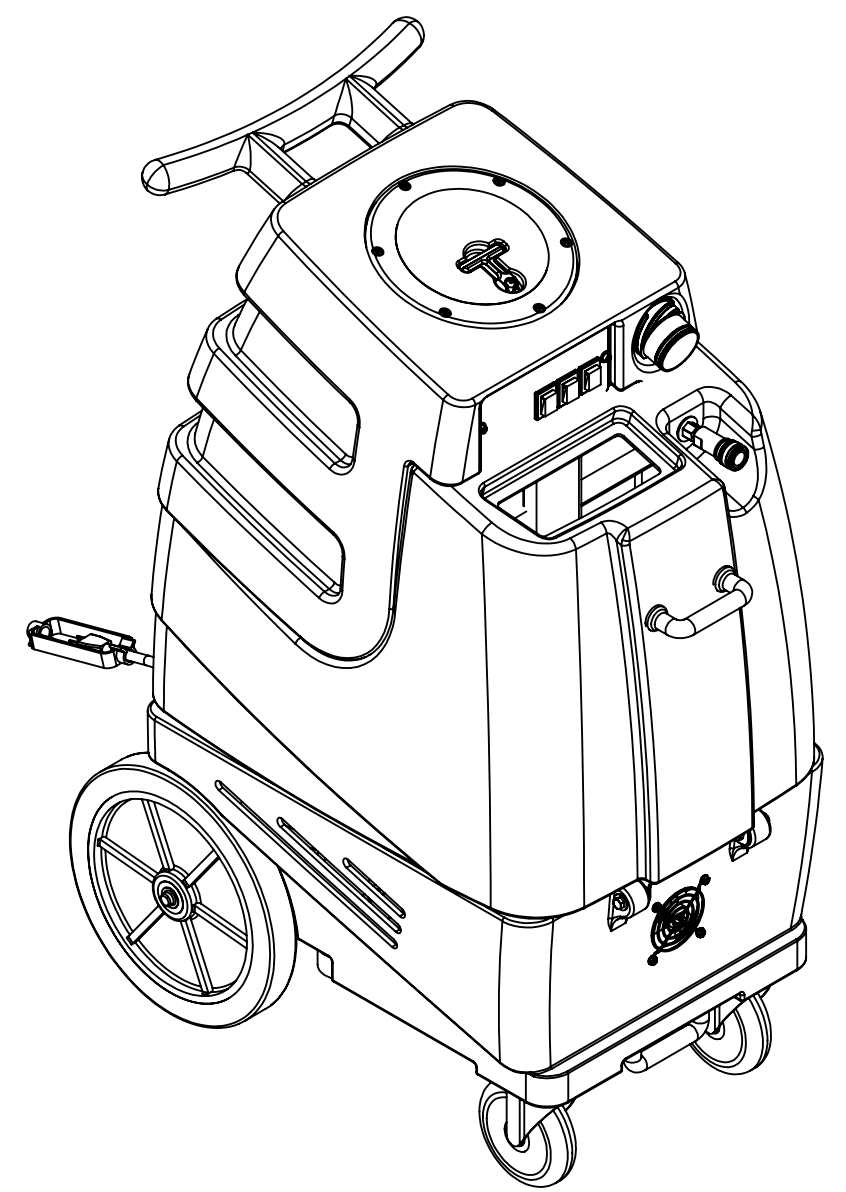
| ITEM NO. | PART NO. | DESCRIPTION   | QTY. |
|----------|----------|---|------|
| 63       | H390A    | bracket, "L" (all extractors)                       | 2    |
| 64       | H225     | valve, drain, 1-1/2"                                | 1    |
| 65       | H226     | spout, drain, 45 degree                             | 1    |
| 66       | G002     | gasket, cam fitting polyethylene, 2.35" OD 1.90" ID | 1    |
| 67       | P684     | adaptor, pvc 2, fmsl x fmt                          | 1    |
| 68       | P682     | pipe, pvc, 2"                                       | 1    |
| 69       | H490     | float, 2", ball style                               | 1    |
| 70       | P726     | elbow, 2" float                                     | 1    |
| 71       | A926     | elbow, inlet assembly 2"                            | 1    |
| 72       | G091     | gasket, 7", vac lid                                 | 1    |
| 73       | G090     | lid, vac tank, black, 7"                            | 1    |
| 74       | H304     | screw, #8 x 5/8 phil oval, s/s                      | 6    |
| 75       | P733     | vac tank, speedster                                 | 1    |
| 76       | G083     | gasket, 2" inlet                                    | 1    |
| 77       | H135     | Cuff-Lynx, 2" m cuff x 2" mpt                       | 1    |
| 78       | E515     | switch, rocker, 2 position                          | 3    |
| 79       | H338     | plate, switch, sp, 3 hole                           | 1    |
| 80       | H389     | screw, #10-32 x 1/2" SHCS, alloy                    | 2    |
| 81       | H612     | washer, #8 flat, s/s                                | 2    |
| 82       | P685     | inlet, 2"   | 1    |

**1000DX-200**

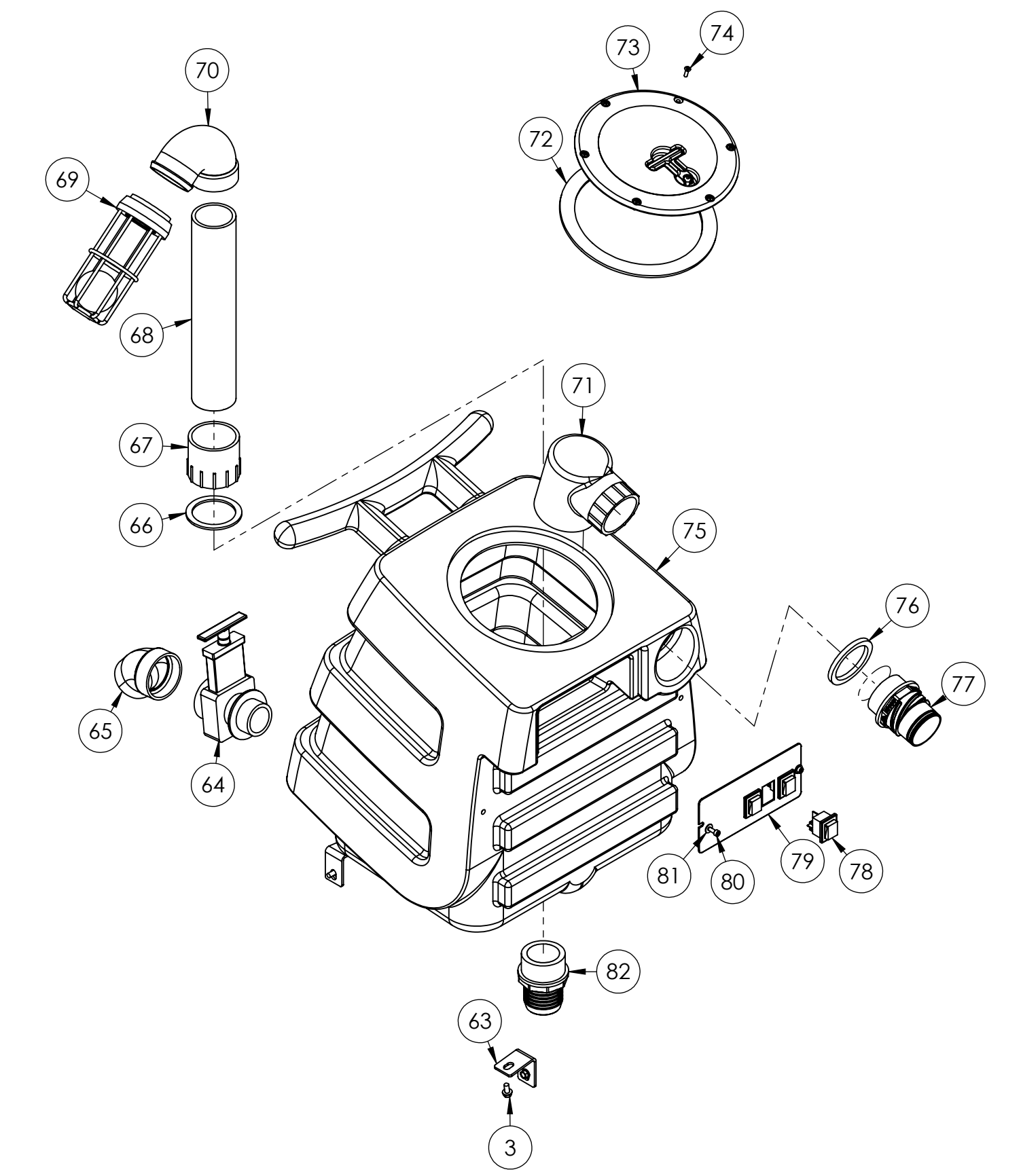
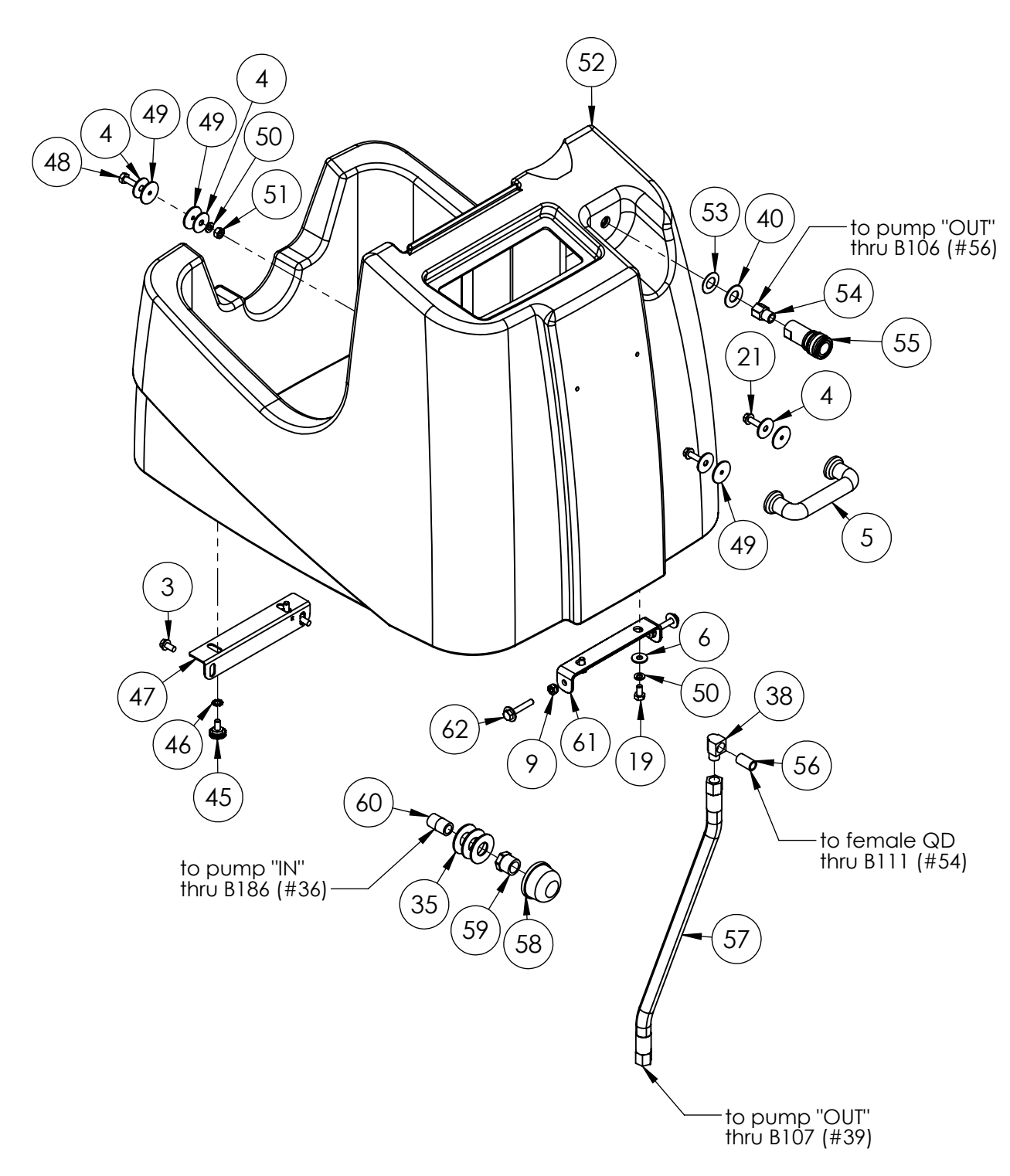
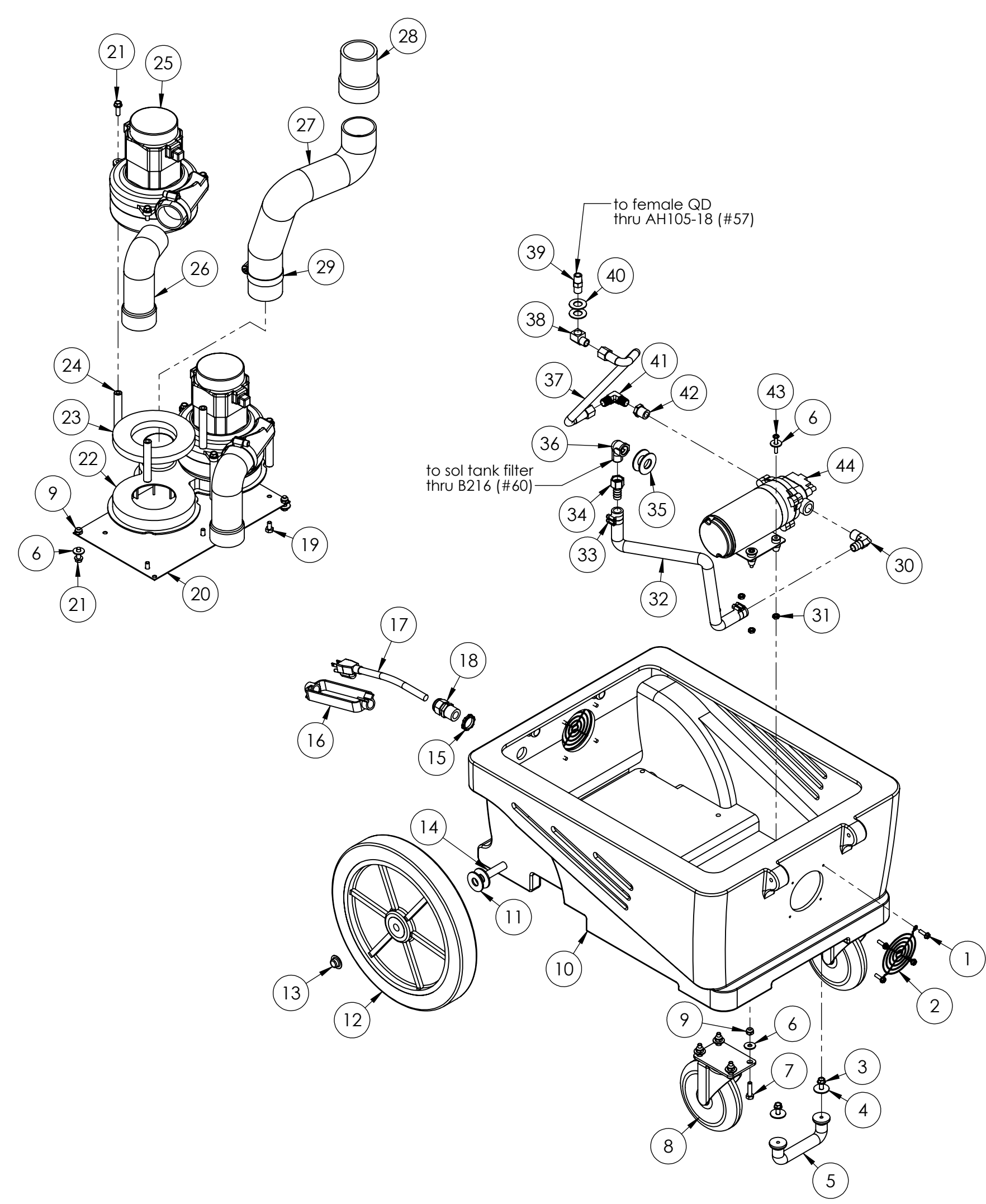
| ITEM NO. | PART NO. | DESCRIPTION                | QTY |
|----------|----------|----------------------------|-----|
| 44       | C322D    | pump, 220psi, demand, 120V | 1   |

**Items Not Shown**

| PART NO. | DESCRIPTION                                 | QTY |
|----------|---|-----|
| E530     | power cord, ext, 50', 12/3, black           | 1   |
| G010     | filter, bag, vac tank, drawstring           | 1   |
| G085     | gasket, strip, 3/4" x 36" x 1/8"            | 2   |
| H140     | Cuff-Lynx, female swivel x female thread 2" | 1   |
| H141     | Cuff-Lynx, 2" to 1.5" reducer               | 1   |
| H375     | hanger, wire formed, hose                   | 1   |



|  |          |  |
|--|----------|--|
| NAME   | DATE     | <b>MYTEE PRODUCTS, INC.</b><br><small>858-679-1191</small> |
| DRAWN M. LaBarbera   | 7/1/2010 |  |
| CHECKED  |          | TITLE:   |
|  |          | <b>speedster</b>   |
| <small>PROPRIETARY AND CONFIDENTIAL<br/>         THE INFORMATION CONTAINED IN THIS DRAWING IS THE SOLE PROPERTY OF MYTEE PRODUCTS, INC. ANY REPRODUCTION IN PART OR AS A WHOLE WITHOUT THE WRITTEN PERMISSION OF MYTEE PRODUCTS, INC. IS PROHIBITED.</small> |          | SIZE DWG. NO. REV<br><b>C 1000DX</b>                       |
| SCALE: 1:8   |          | DO NOT SCALE DRAWING SHEET 1 OF 2                          |



|   |          |                                      |
|---|----------|--------------------------------------|
| NAME  | DATE     | MYTEE PRODUCTS, INC.<br>888-679-1191 |
| M. LaBarbera  | 7/1/2010 |                                      |
| DRAWN   |          | TITLE:                               |
| CHECKED   |          | speedster                            |
| PROPRIETARY AND CONFIDENTIAL<br>THE INFORMATION CONTAINED IN THIS DRAWING IS THE SOLE PROPERTY OF MYTEE PRODUCTS, INC. ANY REPRODUCTION IN PART OR AS A WHOLE WITHOUT THE WRITTEN PERMISSION OF MYTEE PRODUCTS, INC. IS PROHIBITED. |          | SIZE DWG. NO. REV                    |
| SCALE: 1:7  |          | D 1000DX                             |
| DO NOT SCALE DRAWING  |          | SHEET 2 OF 2                         |